

ARCHITECTURAL LIGHTING



QR - SHOP

accutron_{ag}
Batterien & LED Beleuchtung
www.accutron.ch
Tel. +41 43 266 20 50 sales@accutron



LED Pendant Light
ART-PD35 Series



PD35

IP20

The eye-catching light of these pendant luminaires in delicate lines and clear geometric form is the attractive alternative to luminaires with wide-area light. It offers three different lighting modes: direct downward illumination, upward and downward illumination, as well as inward illumination.

These luminaires lend a new airiness to the design of indoor spaces and surfaces with their light. LED modules on aluminium profiles form these ring-shaped light sources. A white diffuser made of ageing-resistant silicone ensures uniform unshielded light distribution.

As a single luminaire or a dual-light combination, they are creative lighting design solutions for interior design.

FEATURES

- High lumen efficacy up to 120lm/W
- CRI80, dual CCT changeable
- Control system: On-Off, DALI
- 3 kinds of illumination modes:
 - Type A: downward or upward & downward illumination
 - Type B: inward illumination
- Pendant installation allows for single-light or dual-light
- The adjustable DC suspension cable support to create different lighting fixture configurations.

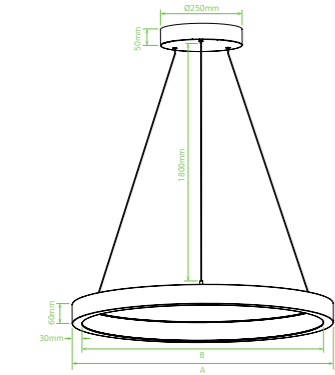
APPLICATIONS

It can be widely applied in hotels, cafes, fitness centers, restaurants, museums, and other similar settings.

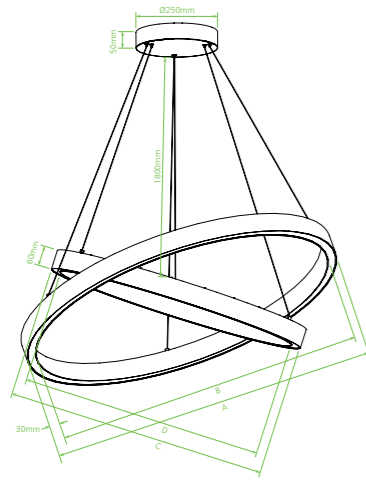
LED Pendant Light



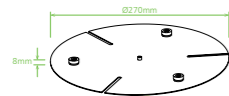
PRODUCT DIMENSION



Code	Dimension(mm)		Size(mm)
	A	B	
ART-PD35A/B-600	Ø600	Ø540	Ø600*60
ART-PD35A/B-800	Ø800	Ø740	Ø800*60
ART-PD35A/B-1000	Ø1000	Ø940	Ø1000*60
ART-PD35A-1200	Ø1200	Ø1140	Ø1200*60

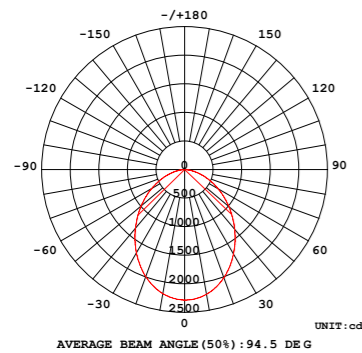


Code	Dimension(mm)				Size(mm)
	A	B	C	D	
ART-PD35A/B-800/600	Ø800	Ø740	Ø600	Ø540	Ø800*60
ART-PD35A/B-1000/800	Ø1000	Ø940	Ø800	Ø740	Ø1000*60

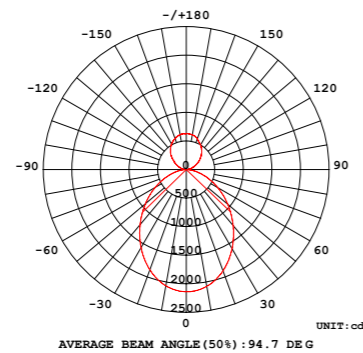


Code	Dimension(mm)		Size(mm)	Carton Size(cm)	Qty/CTN (PCS)
	A	B			
ACC-PD35-WT/BK-0200	Ø270	8	Ø270*8	29.5*26*29.5	12

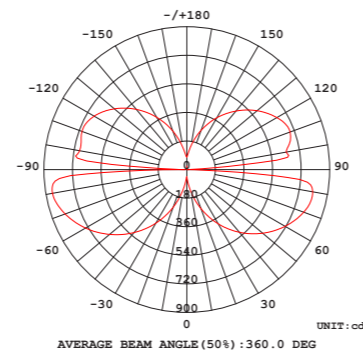
OPTICS



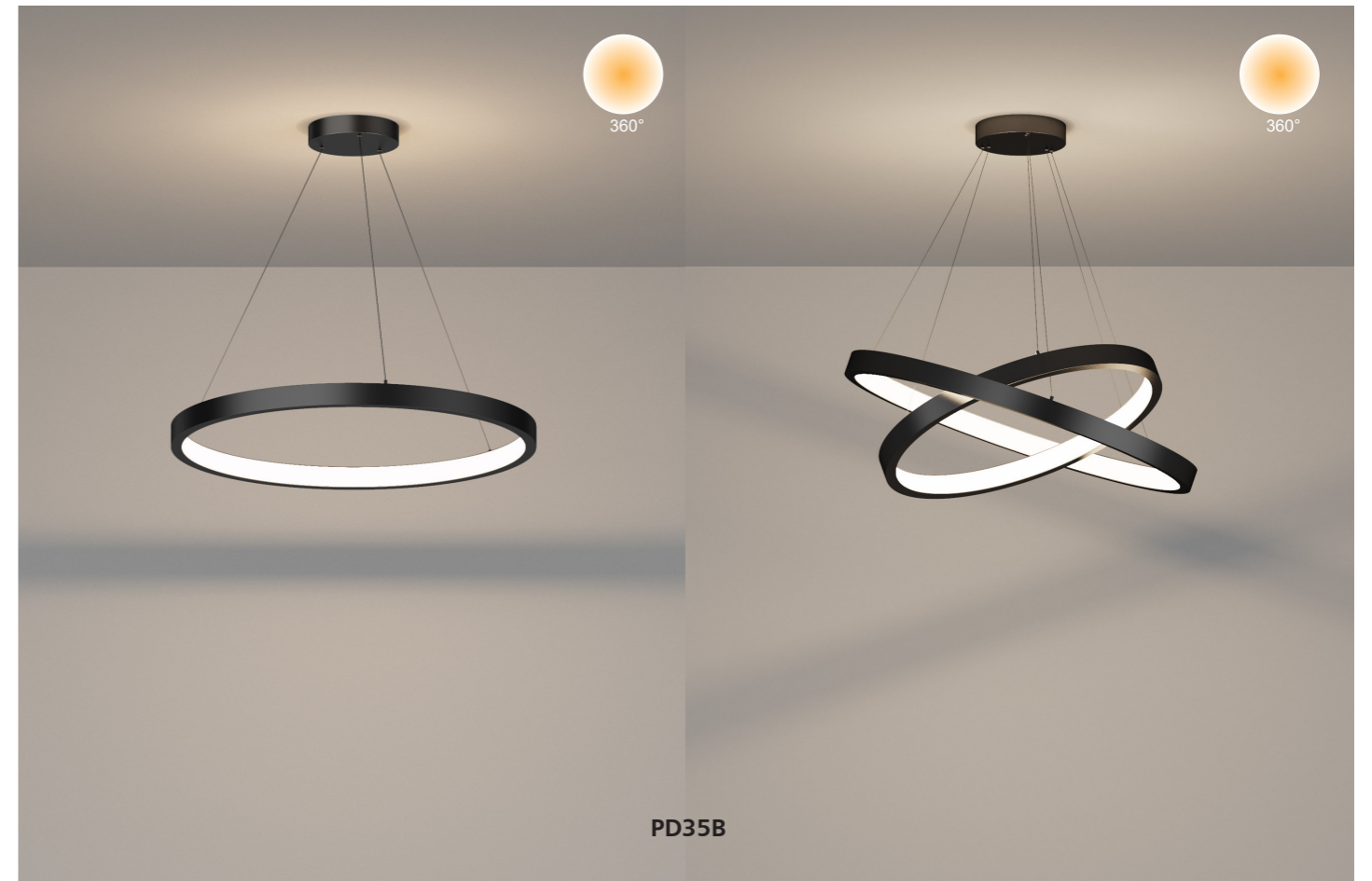
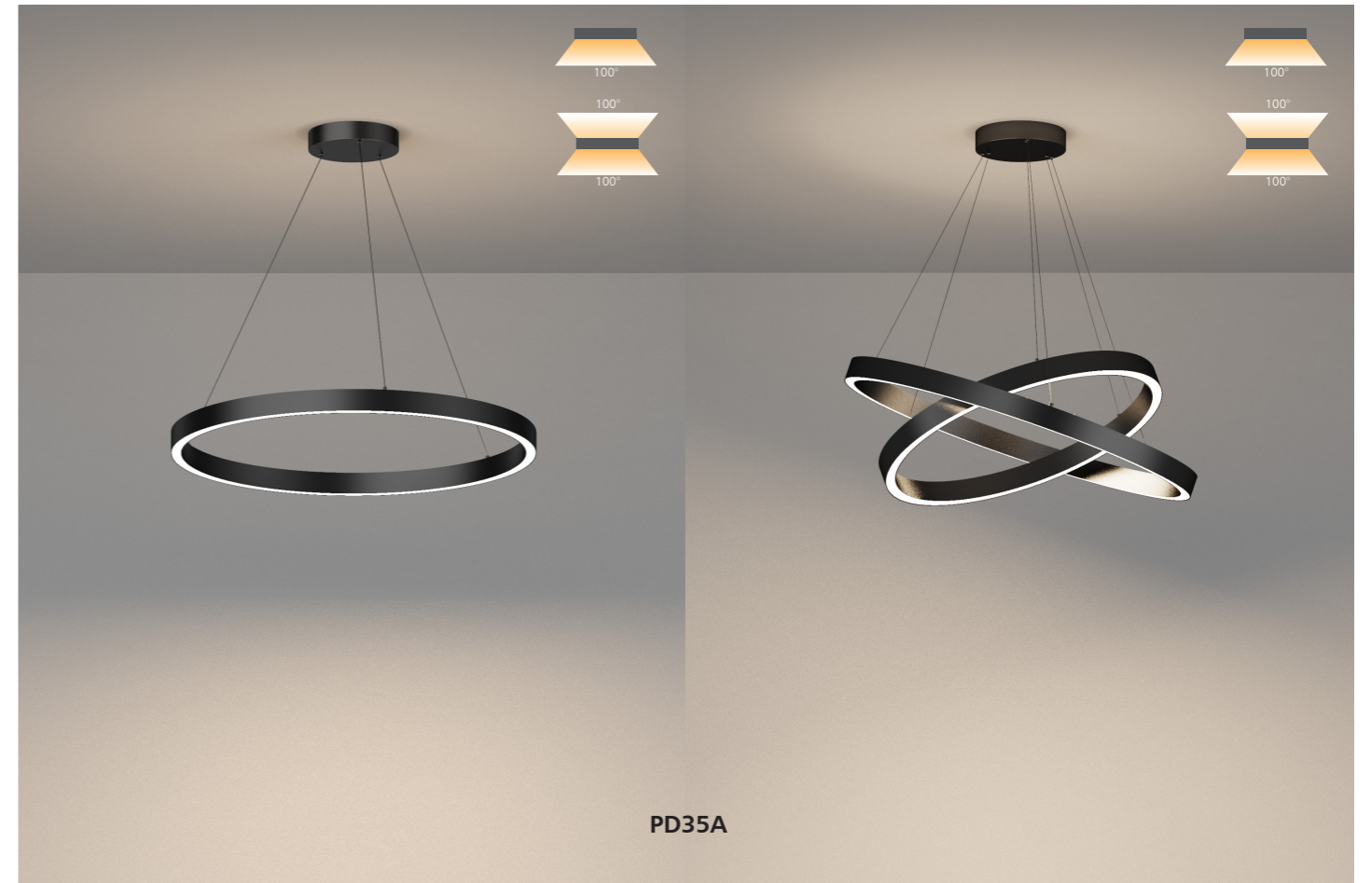
ART-PD35A-1000-50W-4000K



ART-PD35A-1000-60W-4000K



ART-PD35B-1000-60W-4000K



BASIC INFORMATION

Housing Material	Aluminium
Product Finishing	White RAL9016/ Black RAL9005
Optic Material	PC
Light Source	SMD
SDCM	<6
CRI	≥80
Lifetime(hr)	50,000h
LED Driver	Built-in, Flicker Free
Installation	Pendant
Electrical Class	Class I
Operating Temp.(°C)	-20°C~45°C
Storage Temp.(°C)	-20°C~65°C
Glow Wire Test (°C)	750°C

FEATURES & BENEFITS

General Efficacy	110LM/W(PD35A); 120LM/W(PD35B)
CCT Selection DIP Switch	2CCT
Watt Selection DIP Switch	-
Dimming Option	DALI
Functions	-
UGR	-
Ingress Protection(IP Rating)	IP20
Impact Resistance(IK Rating)	IK03
Certification	CE



TECHNICAL DATA SHEET

(Type A: single light downward or upward & downward illumination)

Code	ART-PD35A-600-30W	ART-PD35A-600-36W	ART-PD35A-800-38W	ART-PD35A-800-46W	ART-PD35A-1000-50W	ART-PD35A-1000-60W	ART-PD35A-1200-64W	ART-PD35A-1200-80W		
Dimension(mm)	Ø600*H60		Ø800*H60		Ø1000*H60		Ø1200*H60			
Cutout(mm)	-									
Watt(W)	30W	36W	38W	46W	50W	60W	64W	80W		
Input Voltage	AC220-240V									
LED Module Input	-									
Light Source	SMD									
CCT(K)	2-CCT: 3000K+ 4000K									
CCT Selection DIP Switch	YES									
Luminous Flux (lm) ±5% CRI80	2-CCT	Non-DIM	3000-3400	3600-4100	3800-4300	4600-5200	5000-5600	6000-6600	6400-7200	8400-9200
		DIM	3000-3400	3600-4100	3800-4300	4600-5200	5000-5600	6000-6600	6400-7200	8400-9200
Beam Angle (°)	Down 100°	Down 100° Up100°	Down 100°	Down 100° Up100°	Down 100°	Down 100° Up100°	Down 100°	Down 100° Up100°		
UGR	-									
Dimming Option	DALI									
Sensor	NO									
Emergency	NO									
Product weight(Kg)	N.W/PC	3.35	3.5	3.85	4.1	4.35	4.6	4.9	5.68	
	G.W/PC	-	-	-	-	-	-	-	-	
Package weight(Kg)	N.W/CTN	-	-	-	-	-	-	-	-	
	G.W/CTN	5.40	5.55	7.04	7.29	7.73	8.98	10.86	11.64	
Qty/CTN (PCS)	1	1	1	1	1	1	1	1		
Carton Size(cm)	70*14*70.5		90*14*90.5		110*14*110.5		130*14*130.5			
20GP(pcs)	393		224		163		88			
270	882		500		376		270			

TECHNICAL DATA SHEET

(Type A: dual-light downward or upward & downward illumination)

Code	ART-PD35A-800/600-64W	ART-PD35A-800/600-82W	ART-PD35A-1000/800-88W	ART-PD35A-1000/800-106W		
Dimension(mm)	Ø800*H60		Ø1000*H60			
Cutout(mm)	-					
Watt(W)	64W	82W	88W	106W		
Input Voltage	AC220-240V					
LED Module Input	-					
Light Source	SMD					
CCT(K)	2-CCT: 3000K+ 4000K					
CCT Selection DIP Switch	YES					
Luminous Flux (lm) ±5% CRI80	2-CCT	Non-DIM	6500-7200	8200-9100	8800-9800	10600-11650
		DIM	6500-7200	8200-9100	8800-9800	10600-11650
Beam Angle (°)	Down 100°	Down 100° Up100°	Down 100°	Down 100° Up100°		
UGR	-					
Dimming Option	DALI					
Sensor	NO					
Emergency	NO					
Product weight(Kg)	N.W/PC	5.45	6.33	6.93	7.43	
	G.W/PC	-	-	-	-	
Package weight(Kg)	N.W/CTN	-	-	-	-	
	G.W/CTN	8.64	9.53	10.31	10.81	
Qty/CTN (PCS)	1	1	1	1		
Carton Size(cm)	90*14*90.5		110*14*110.5			
20GP(pcs)	224		163			
40HQ(pcs)	500		376			



TECHNICAL DATA SHEET

(Type B: single light inward illumination)

Code	ART-PD35B-600-36W	ART-PD35B-800-46W	ART-PD35B-1000-60W		
Dimension(mm)	Ø600*H60	Ø800*H60	Ø1000*H60		
Cutout(mm)	-				
Watt(W)	36W	46W	60W		
Input Voltage	AC220-240V				
LED Module Input	-				
Light Source	SMD				
CCT(K)	2-CCT: 3000K+ 4000K				
CCT Selection DIP Switch	YES				
Luminous Flux (lm) ±5% CRI80	2-CCT	Non-DIM	4500-4900	5500-5900	6800-7500
		DIM	4500-4900	5500-5900	6800-7500
Beam Angle (°)	360°				
UGR	-				
Dimming Option	DALI				
Sensor	NO				
Emergency	NO				
Product weight(Kg)	N.W/PC	3.45	4	4.51	
	G.W/PC	-	-	-	
Package weight(Kg)	N.W/CTN	-	-	-	
	G.W/CTN	5.50	7.19	7.89	
Qty/CTN (PCS)	1	1	1		
Carton Size(cm)	70*14*70.5	90*14*90.5	110*14*110.5		
20GP(pcs)	393	224	163		
40HQ(pcs)	882	500	376		



TECHNICAL DATA SHEET (Type B: dual-light inward illumination)



Code		ART-PD35B-800/600-82W	ART-PD35B-1000/800-106W
Dimension(mm)		Ø800*H60	Ø1000*H60
Cutout(mm)		-	-
Watt(W)		82W	106W
Input Voltage		AC220-240V	
LED Module Input		-	
Light Source		SMD	
CCT(K)		2-CCT: 3000K+ 4000K	
CCT Selection DIP Switch		YES	
Luminous Flux (lm) ±5% CRI80	2-CCT	9300-10200	11650-12800
	Non-DIM		
	DIM	9300-10200	11650-12800
Beam Angle (°)		360°	
UGR		-	
Dimming Option		DALI	
Sensor		NO	
Emergency		NO	
Product weight(Kg)	N.W/PC	6.18	7.24
	G.W/PC	-	-
Package weight(Kg)	N.W/CTN	-	-
	G.W/CTN	9.37	10.62
Qty/CTN (PCS)		1	1
Carton Size(cm)		90*14*90.5	110*14*110.5
20GP(pcs)		224	163
40HQ(pcs)		500	376

DRIVER DATASHEET(NON-DIMMABLE)

Total load wattage		30W	36W	38W	46W	50W	60W	64W	80W	82W	88W	106W	
Output	Rated output current	700mA	850mA	900mA	1100mA	1150mA	1400mA	1500mA	1900mA	1900mA	2000mA	2450mA	
	Output Voltage range	DC30-42V			DC28-42V			DC32-56V			DC32-44V		
	Line Regulation	±5%											
	Setup Rise Time	≤0.5S											
	Flickering Index	≤3%(NO RISK)											
	IEC-PST	≤1											
	CIE (SVM)	≤0.4											
Input	Rated Input Voltage	AC220-240V											
	Input Voltage	AC198-264V											
	Frequency	50/60Hz											
	Rated Input Current	≤0.16A	≤0.19A	≤0.20A	≤0.24A	≤0.26A	≤0.31A	≤0.33A	≤0.41A	≤0.42A	≤0.45A	≤0.54A	
	Input Current	≤0.17A	≤0.21A	≤0.22A	≤0.26A	≤0.29A	≤0.34A	≤0.36A	≤0.45A	≤0.47A	≤0.50A	≤0.60A	
	Power Factor	0.9											
	THD	≤20%											
	Efficiency	≥87%			≥88%				≥89%				
	Inrush current	16.05A/246us			18.4A/302us			11.8A/358us			70A/200uS		
	No load wattage	≤0.5W											
Stand-by power consumption	-												
Protection	Short circuit protection	PASS											
	Over voltage protection	PASS											
	Over temperature protection	PASS											
Safety & EMC	Withstand voltage	I/P-FG:1.5KVac,<5mA 60S											
	Isolation Resistance	500VDC, ≥2M Ω											
	Surge	IEC/EN61000-4-5 (L-N:1KV, L/N-PE:2KV)											
	EMC Emission	EN55015, EN61000-3-2											
EMC Immunity	EN61000-4-2,3,4,5,6,8,11; EN61547												

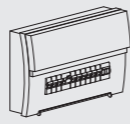
DRIVER DATASHEET(DALI DIMMABLE)

Total load wattage		30W	36W	38W	46W	50W	60W	64W	80W	82W	88W	106W	
Output	Rated output current	700mA	900mA	950mA	1100mA	1150mA	1400mA	1500mA	1900mA	1900mA	2000mA	2500mA	
	Output Voltage range	DC6-42V			DC28-42V			DC28-40V	DC32-52V		DC32-46V	DC32-40V	
	Line Regulation	±5%											
	Setup Rise Time	≤1S											
	Flickering Index	≤3%(NO RISK)											
	IEC-PST	≤1											
	CIE (SVM)	≤0.4											
Input	Rated Input Voltage	AC220-240V											
	Input Voltage	AC198-264V											
	Frequency	50/60Hz											
	Rated Input Current	≤0.16A	≤0.19A	≤0.20A	≤0.24A	≤0.26A	≤0.31A	≤0.33A	≤0.41A	≤0.42A	≤0.45A	≤0.54A	
	Input Current	≤0.17A	≤0.21A	≤0.22A	≤0.26A	≤0.29A	≤0.34A	≤0.36A	≤0.45A	≤0.47A	≤0.50A	≤0.60A	
	Power Factor	0.9											
	THD	≤20%											
	Efficiency	≥88%								≥89%			
	Inrush current	3.95A/180us	7.9A/304us		9.1A/174us				180A/150uS				
	No load wattage	-											
Stand-by power consumption	≤0.5W												
Protection	Short circuit protection	PASS											
	Over voltage protection	PASS											
	Over temperature protection	PASS											
Safety & EMC	Withstand voltage	I/P-FG:1.5KVac,<5mA 60S											
	Isolation Resistance	500VDC, ≥2M Ω											
	Surge	IEC/EN61000-4-5 (L-N:1KV, L/N-PE:2KV)											
	EMC Emission	EN55015, EN61000-3-2											
EMC Immunity	EN61000-4-2,3,4,5,6,8,11; EN61547												

Installation Procedure

WARNING ⚡

1. Switch off before installation.
2. Switch on only after complete installation and examination of the circuit.
3. Professional electrician for installation and maintenance only.



Turn Off
Power Supply

Pendant installation(Without decorative plate)

1 **2**

180mm
100mm

3 **4**

Standard	DALI
L= Switched N= Neutral ⊕= Earth	L= Switched N= Neutral ⊕= Earth DA/L V+ DA/N V-

Wire diameter: 0.5-2.5mm²
Wire stripping length: 8-10mm

5 **6**

COMPLETE

Pendant installation(With decorative plate)

1 **2**

COMPLETE