

COMMERCIAL LIGHTING



QR - SHOP

accutron ag
Batterien & LED Beleuchtung
www.accutron.ch
Tel. +41 43 266 20 50 sales@accutron



LED freestanding luminaire
OL12 Series



Introduction

This is a folding freestanding lamp which includes three parts: flat lamp body, lamp pole and lamp base. With a precise optical design (UGR<17, up 70% & down 30% lighting), it has direct lighting and indirect lighting, which ensures a more uniform and more comfortable lighting effect. Lamp Pole with: Plug, touchable 0-10V dimmer, light sensor, PIR sensor module and USB connector. The configuration of the luminaire is triggered by pressing a button and then it's fully automatic, the lighting control modules are interchangeable, which is very suitable for modern office environments. There has a wheel under the base to support easier movement or transportation.

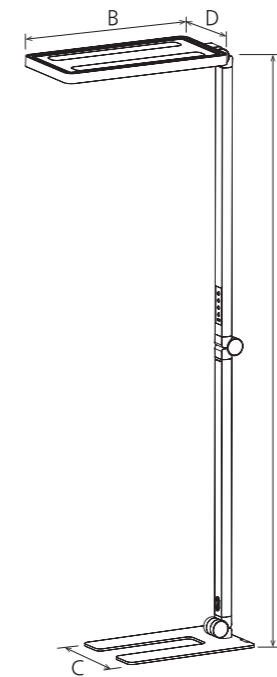
Features

- Folding design and rolling base support easier movement and transportation
- Precise optical design: Direct and indirect lighting
- CRI90 with high lumen efficiency, 120lm/W@4000K
- Daylight sensor and PIR sensor mode interchangeable
- UGR<17 anti-glare design
- USB charging function available
- Plug and play, convenient for different position
- Touchable dimming for CCT(3000K-4000K) and brightness

Application Areas

It is specially designed for general lighting applications in office, meeting room, studio, study room etc.





Technical Data Sheet

Code	OL12-80W-S1T	OL12-100W-S1T
Dimension(mm)	L2100*W726*H320	L2100*W726*H320
Cutout(mm)	-	
Watt(W)	80W	100W
USB Output	1 Groups USB 5V 2000mA	
Rated Input Voltage	AC220-240V	
Input Voltage	AC198-264V	
LED Module Input	-	
Light Source	SMD	
SDCM	SDCM<6	
CCT(K)	3000K-4000K	
CCT Selection DIP Switch	Touch	
Luminous Flux (lm) ±5% CRI90	2-CCT DIM 9440-9600	11800-12000
CRI	90	
Beam Angle(°)	UP 80°/ Down 120°	
UGR	UGR<17	
LED Driver	Driver built-in	
Dimming Option	Touch	
Sensor	PIR sensor / Daylight sensor	
Emergency Kits	-	
Electrical Class	Class I	
Ingress Protection(IP Rating)	IP20	
Impact Resistance(IK Rating)	IK06	
Product Finishing	White RAL9016/Black RAL9005	
Optics Material	PMMA	
Housing Material	AL6063	
Lifetime(hr)	50,000H	
Glow wire test(°C)	650°C	
Operating Temp(°C)	-10°C~40°C	
Storage Temp(°C)	-20°C~60°C	
Installation	Pedestal mounted	

Measurement

Code	Dimension(mm)				Size(mm)	Product Weight (Kg)	Package weight (Kg)	Carton Size(cm)	Qty/ CTN	20GP (pcs)	40HQ (pcs)
	A	B	C	D		N.W/PC	G.W/CTN				
OL12-80W-S1T OL12-100W-S1T	2100	764	320	310	2100*726*320	14.5	22.6	120*31*44	1	155	325

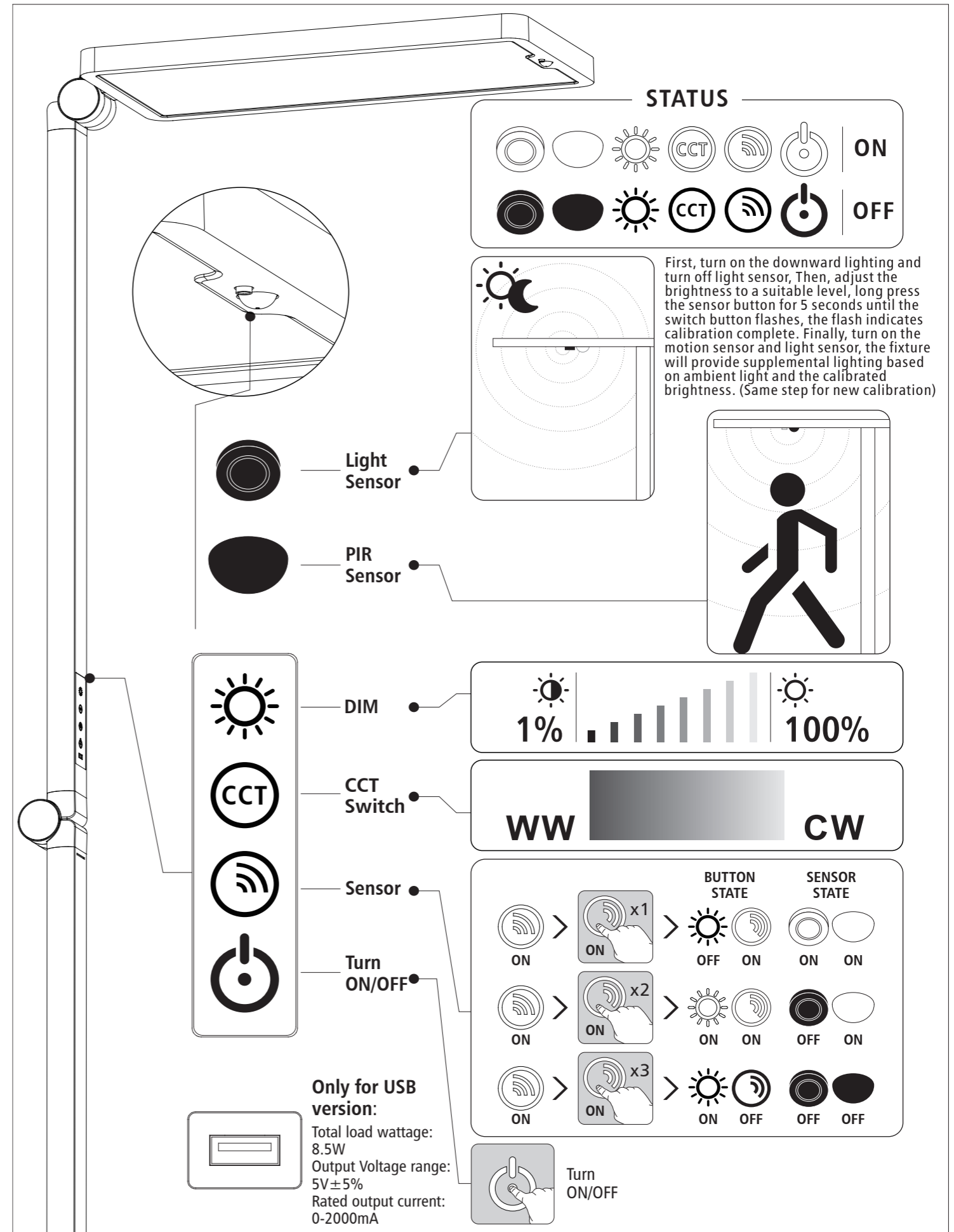
Driver Datasheet (Constant Voltage Linear Driver)

		Total load wattage	80W	100W
Output	Rated output current		2100mA	2600mA
	Output Voltage range		DC32-40V	
	Line Regulation		±5%	
	Setup Rise Time		<0.7S	
	Flickering Index		2%	
	IEC-PST		<1	
	CIE(SVM)		<0.4	
Input	Rated Input Voltage		AC220-240V	
	Input Voltage		AC198-264V	
	Frequency		50/60Hz	
	Rated Input Current		≤0.41A	≤0.51A
	Input Current		≤0.45A	≤0.57A
	Power Factor		0.9	
	THD		≤20%@230V	
	Efficiency		87%	
	Inrush current		39A/358us	
	No load wattage		≤0.5W	
Stand-by power consumption		≤0.5W		
Protection	Short circuit protection		PASS	
	Over voltage protection		PASS	
	Over temperature protection		PASS	
Safety & EMC	Withstand voltage		I/P-FG:1.5KVac, <5mA 60S	
	Isolation Resistance		500VDC, ≥2M Ω	
	Surge		IEC/EN61000-4-5 (L-N:1KV, L/N-PE:2KV)	
	EMC Emission		EN55015, EN61000-3-2	
	EMC Immunity		EN61000-4-2,3,4,5,6,8,11; EN61547	

Driver Datasheet (Sensor)

Sensor datasheet	
Operating voltage	5VDC
Microwave frequency	-
Detection angle	90°
Detection Area	1.5m
Hold time	15min
Daylight sensor	500-1000LUX
Stand-by DIM Level	-
Stand-by Period	-
Dimming Range	1%-100%
Microwave ON/OFF function	yes
Installation Height	-
Operating temperature(°C)	-20°C~35°C

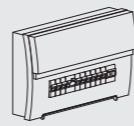
Button Function Instruction(USB version)



Installation Procedure

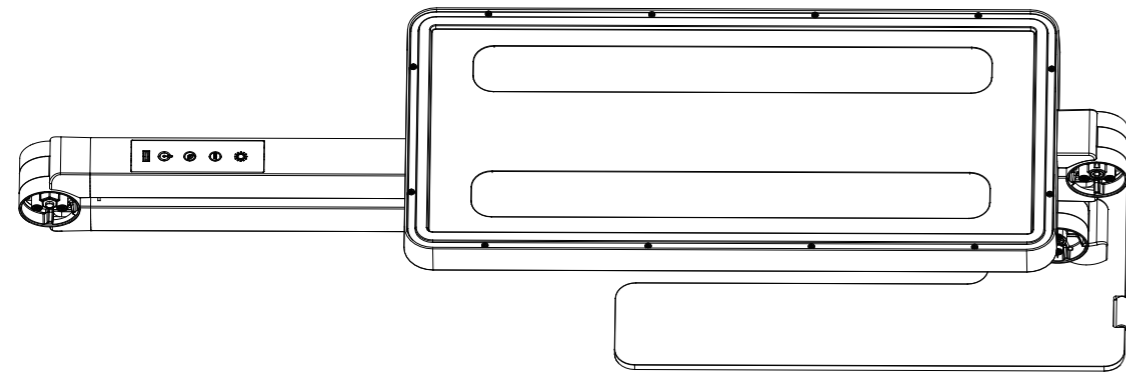
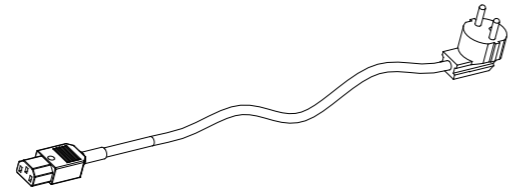
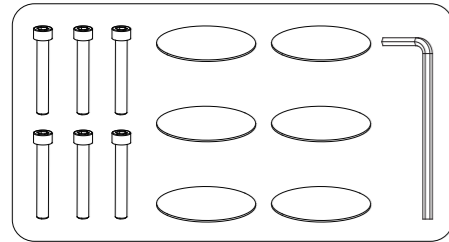
WARNING ⚡

1. Switch off before installation.
2. Switch on only after complete installation and examination of the circuit.
3. Professional electrician for installation and maintenance only.

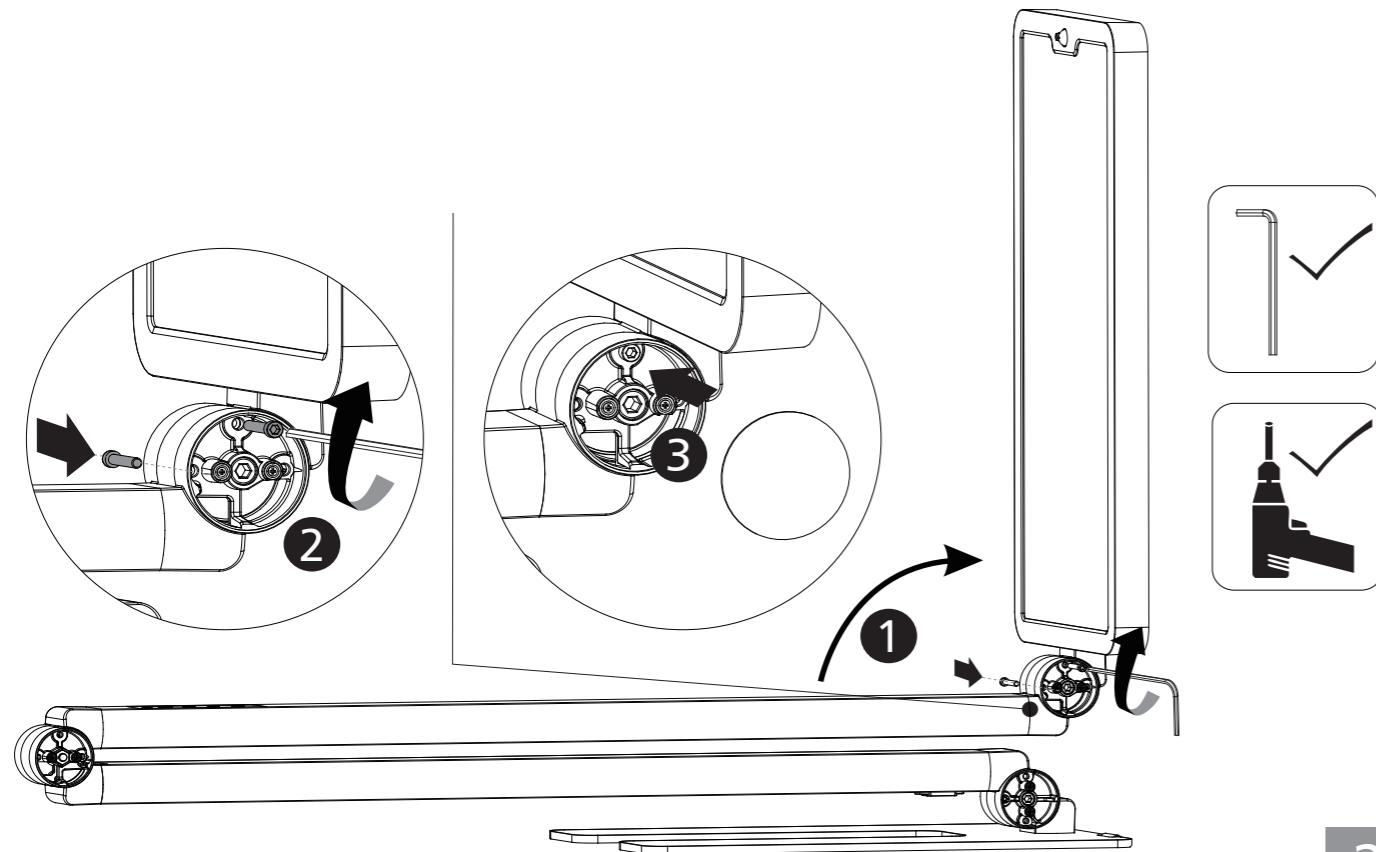


Turn Off
Power Supply

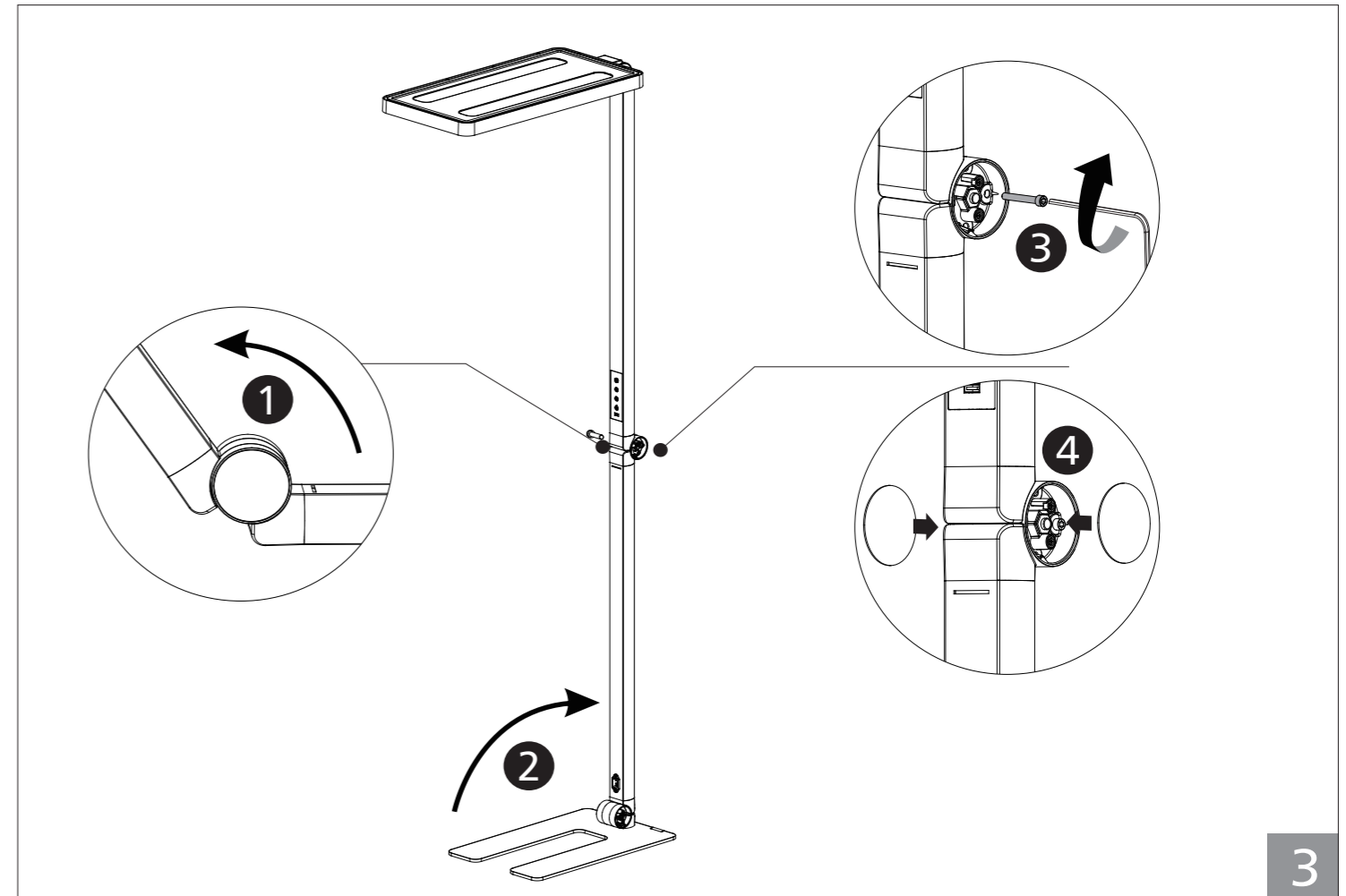
Pedestal installation



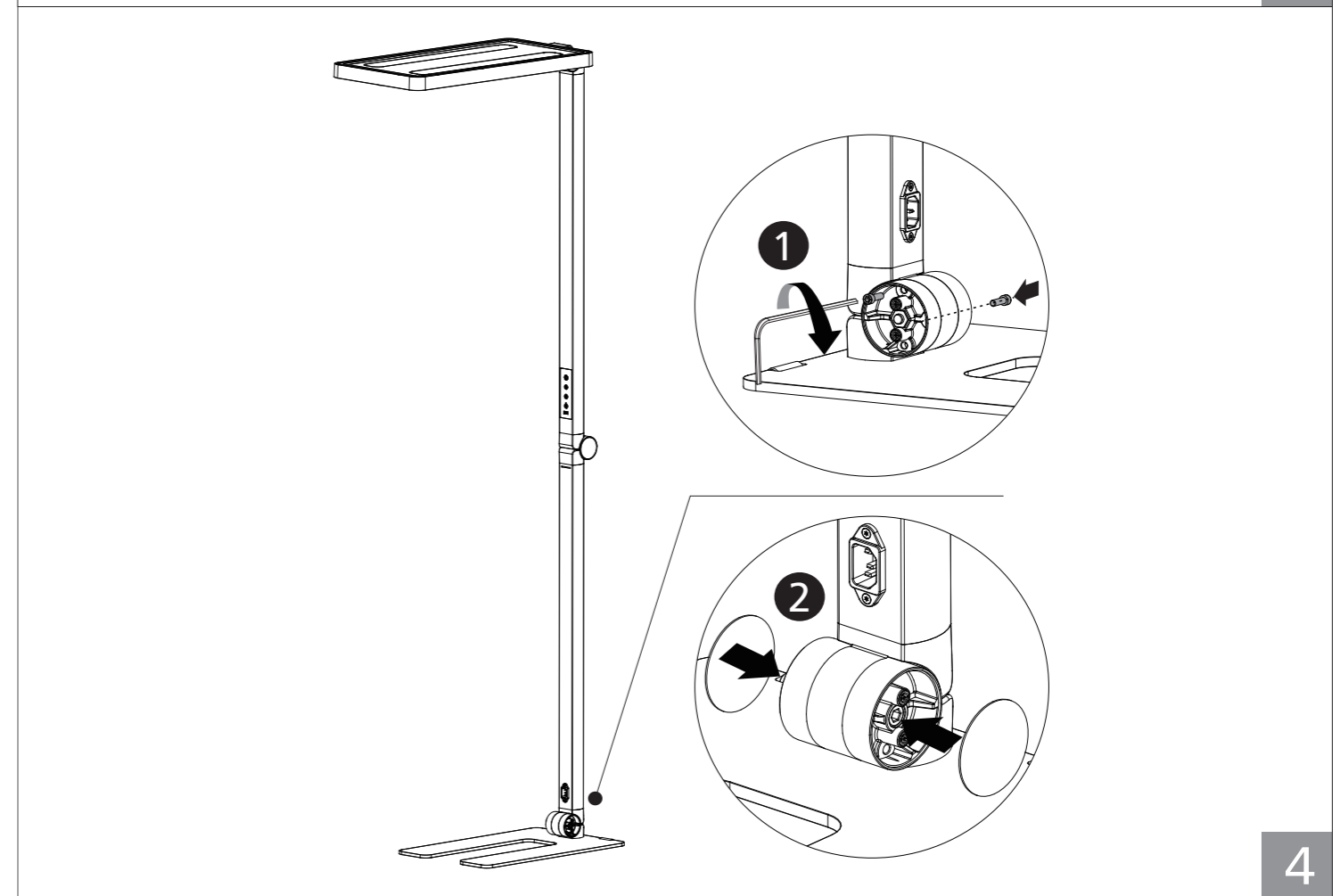
1



2



3



4

