

Entry /ECO

Standard /STD

Professional/PRO

ODM & OEM

Intelligent/INT

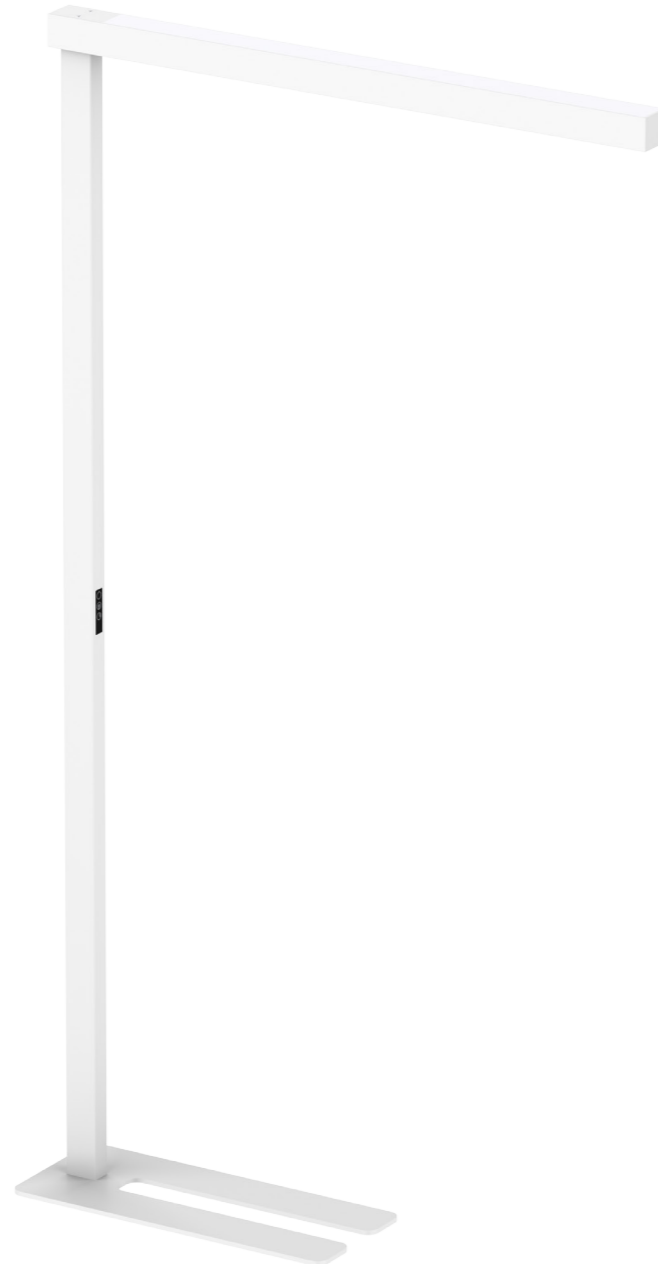


QR - SHOP

accutron_{ag}
Batterien & LED Beleuchtung
www.accutron.ch
Tel. +41 43 266 20 50 sales@accutron

PRO
Specifications

LED freestanding luminaire
OL06 Series





Introduction

Free-standing luminaires can be placed easily anywhere in the room, providing direct and indirect light wherever the user needs it. This OL06 free-standing luminaire is composed of three parts: Linear lamp body, lamp pole and U shape lamp base. OL06A is for floor standing, OL06B is for desk installation. Direct and indirect optic design, UGR<16, up 75% & down 25% lighting, up to 125lm/W high light efficiency, it can ensure a more uniform and more comfortable lighting effect. Besides, for direct lighting, it has Symmetrical polarized light and forward polarized light options, which could meet more lighting demands. Lamp Pole with: Plug and play, touchable 0-10V dimmer, light sensor, PIR sensor module and USB connector and adjustable CCT. The configuration of the luminaire is triggered by pressing a button and then it's fully automatic, the lighting control modules are interchangeable, which is very suitable for modern office environments.

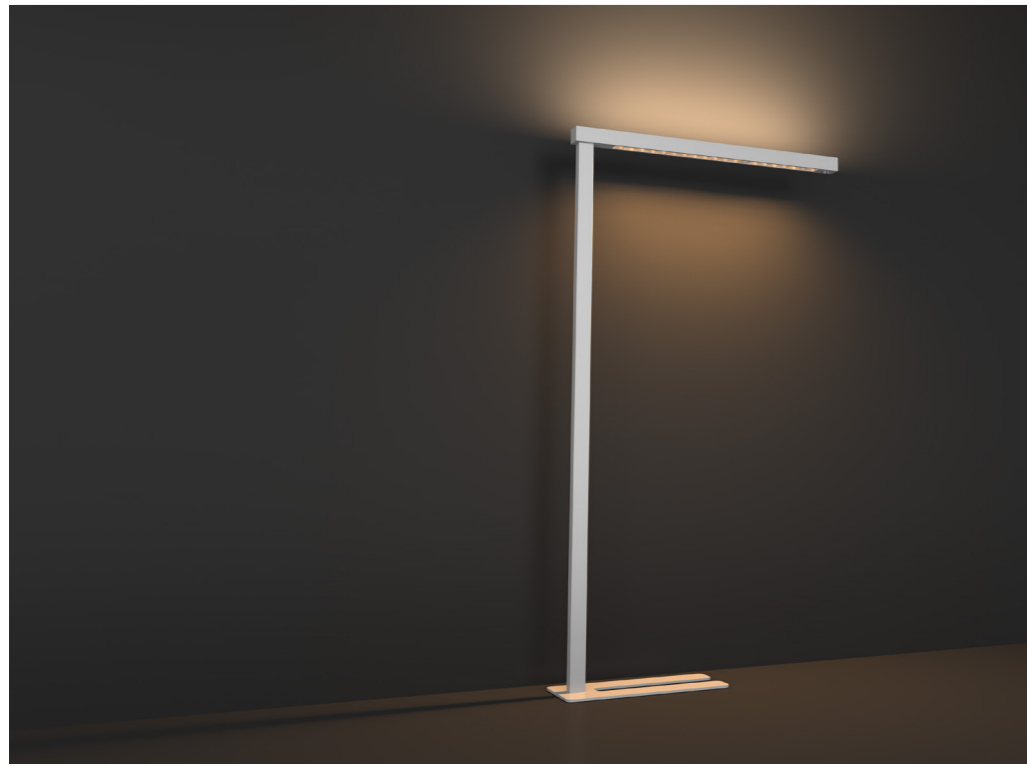
Features

- Easy for assembly and maintenance.
- OL06A floor standing, OL06B desk installation.
- Symmetrical polarized light and forward polarized light options.
- High lighting efficiency, 125lm/W.
- Precise optical design: UGR<16, up 75% & down 25% lighting.
- Plug and play, light sensor, PIR sensor, USB charging functions.
- Touchable 0-10V dimming way.
- Interchangeable CCT by switch: 3000K+4000K+5700K

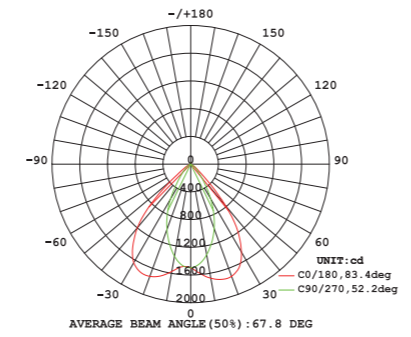
Application Areas

It is specially designed for general lighting applications in office, meeting room, hotel etc.

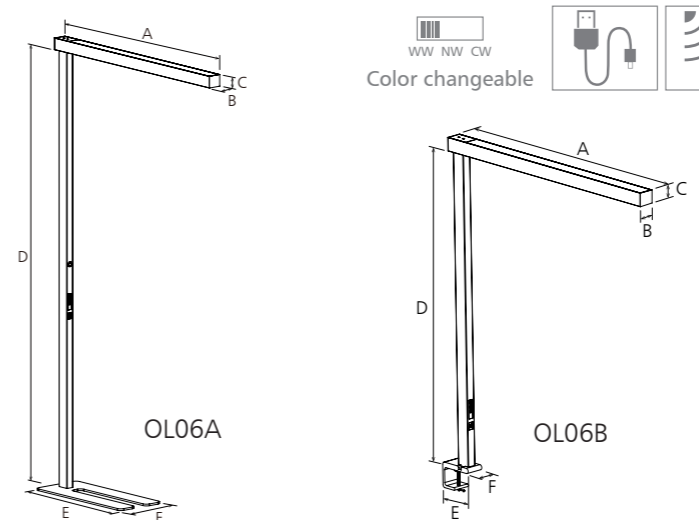
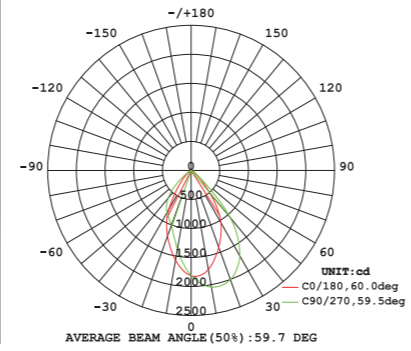




Symmetrical polarized light(downward):



Forward polarized light(downward):



Color changeable **PF 0.93** **CRI ≥80** **UGR<16**

Measurement

Code	Dimension(mm)			Size(mm)	Product Weight (Kg)		Package weight (Kg)		Carton Size(cm)	Qty/CTN	20GP (sets)	40HQ (sets)
	A	B	C		N.W/PC	G.W/PC	N.W/CTN	G.W/CTN				
OL06A Lamp body	1060	60	53	1060*60*53	5.7	6.8	20.5	22.3	208.5*33*17.5	3	576	1362
OL06A Lamp pole	D 2026			2026*55*35								
OL06A Lamp base	E 580		F 240	580*240*8	6.8	7.2	21.6	23	66*31.5*16	3		
OL06B Lamp body	1060	60	53	1060*60*53	5.1	6.6	20	21.5	142.5*37.5*28.5	3	582	1344
OL06B Lamp pole	D 1276			1276*55*35								
OL06B Lamp base	E 140		F 70	140*70*100								

Technical Data Sheet

Code No.	OL06A-80W -DOS	OL06A-80W -OSC	OL06B-80W-DOS	OL06B-80W -OSC
Dimension(mm)	2050*1085*240		1380*1115*70	
Cutout (mm)	-			
Watt(W)	80W			
Rated Input Voltage(V)	AC230V			
Input Voltage(V)	AC220-240V			
LED Module Input	-			
Light Source	SMD2835			
SDCM	<6			
CCT(K)	1-CCT: 3000K/4000K/5000K/5700K	3-CCT:3000K+4000K+5700K	1-CCT: 3000K/4000K/5000K/5700K	3-CCT:3000K+4000K+5700K
CCT Selection DIP Switch	-	YES	-	YES
Luminous Flux (lm) ±5%	Non-DIM	1-CCT	-	-
	DIM	1-CCT	9000-10500lm	9000-10500lm
Luminous Flux (lm) ±5%	Non-DIM	3-CCT	-	-
	DIM	3-CCT	8200-9300lm	8200-9300lm
CRI	≥80			
Beam Angle (°)	80°*50°/60°*60°*15°			
UGR	<16			
LED Driver	Driver built-in			
Dimming Option	0-10V			
Sensor	PIR sensor / Daylight sensor			
Emergency Kits	-			
Electrical Class	Class I			
Ingress Protection (IP Rating)	IP20			
Impact Resistance (IK Rating)	-			
Product Finishing(Base)	White RAL9016			
Optics Material	PC/PET			
Housing Material	Aluminum			
Lifetime (hr)	50,000h			
Glow wire test (°C)	750°C			
Operating Temp. (°C)	-10°C ~40°C			
Storage Temp. (°C)	-20°C ~60°C			
Installation	Pedestal mounted / Desktop mounted			

Driver Datasheet (0-10V)

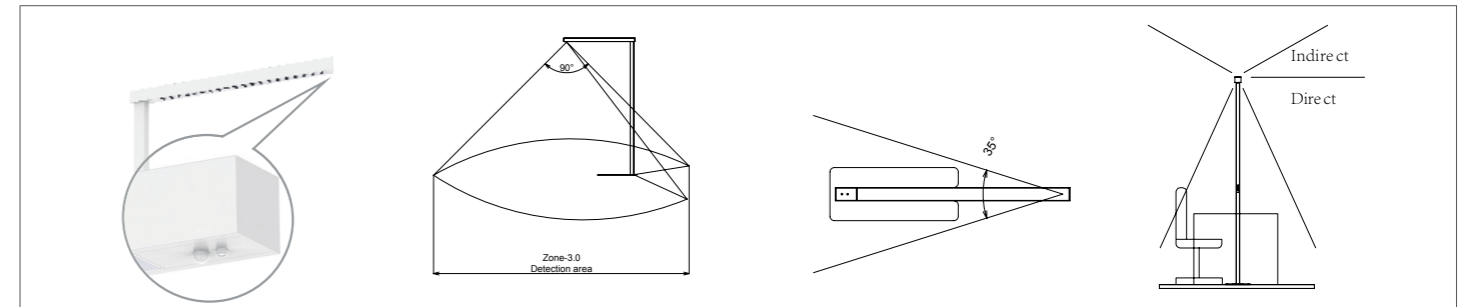
Total load wattage		80W
Output	Output Voltage range	DC25-40V
	Rated output current	1900mA±5%
	Line Regulation	±5%
	Setup, Rise Time	≤0.5S@230V
	Flickering Index	NO RISK
Input	Input Voltage	AC198-264V
	Rated Input Voltage(V)	AC220-240V
	Frequency	47Hz-63Hz
	Input Current	0.55A
	Rated Input Current	0.38A
	Power Factor	0.93
	THD	<20% @230V
	Efficiency	≥88%
Protection	No load wattage	<0.5W
	Short circuit protection	Pass
	Over voltage protection	Pass
Safety &EMC	Over temperature protection	Pass
	Withstand voltage	I/P-O/P:3.75KVAC5mA 60S; I/P-FG1.6kV 5mA 60S
	Isolation Resistance	I/P-FG O/P-FG: 500VDC, > 100M Ω
	Surge	IEC/EN61000-4-5 (P≥25w L-N:1KV, L/N-PG:2KV)
	EMC Emission	EN55015,EN61000-3-2,EN61000-3-3 GB/T17743,GB17625.1,GB17625.2
EMC Immunity	EN61000-4-2,3,4,5,6,11 GB/T17626.2,3,4,5,6,11	

Driver Datasheet (Sensor)

Sensor datasheet	
Operating Voltage	3.3VDC
Power consumption	0.5W±0.2W
Microwave frequency	-
Transmission power	-
Detection angle	90°
Detection Area	1.5M
Hold time	15min
Daylight sensor	750lux
Stand-by DIM Level	-
Stand-by Period	-
Dimming Range	10%-100%
PIR Sensor	Yes
Installation Height	-
Operating temperature(°C)	-20°C ~60°C

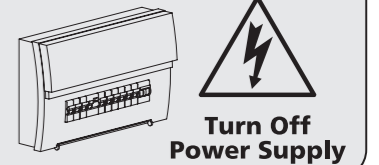
Driver Datasheet (OL02SI-10W2000-NF1-USB) only for USB version

Total load wattage		14W	
Output	Output Voltage range	15V±1.5V	5V±5%
	Rated output current	0-50mA	0-2000mA
	Line Regulation	±5%	
	Setup, Rise Time	≤0.5S@230V	
	Flickering Index	NO RISK	
Input	Input Voltage	AC100-240V	
	Rated Input Voltage(V)	AC85-264V	
	Frequency	50Hz/60Hz	
	Input Current	0.25A	
	Rated Input Current	0.23A	
	Power Factor	-	
	THD	-	
	Efficiency	76%	
	No load wattage	<0.5W	
Protection	Short circuit protection	Pass	
	Over voltage protection	Pass	
	Over temperature protection	Pass	
Safety & EMC	Withstand voltage	I/P-O/P:3.75KVac, <5mA 60S	
	Isolation Resistance	I/P-O/P: 500VDC, ≥4M Ω	
	Surge	IEC/EN61000-4-5(P<25W; L-N:500V)	
	EMC Emission	EN55015, EN61000-3-2	
	EMC Immunity	EN61000-4-2,3,4,5,6,8,11; EN61547	

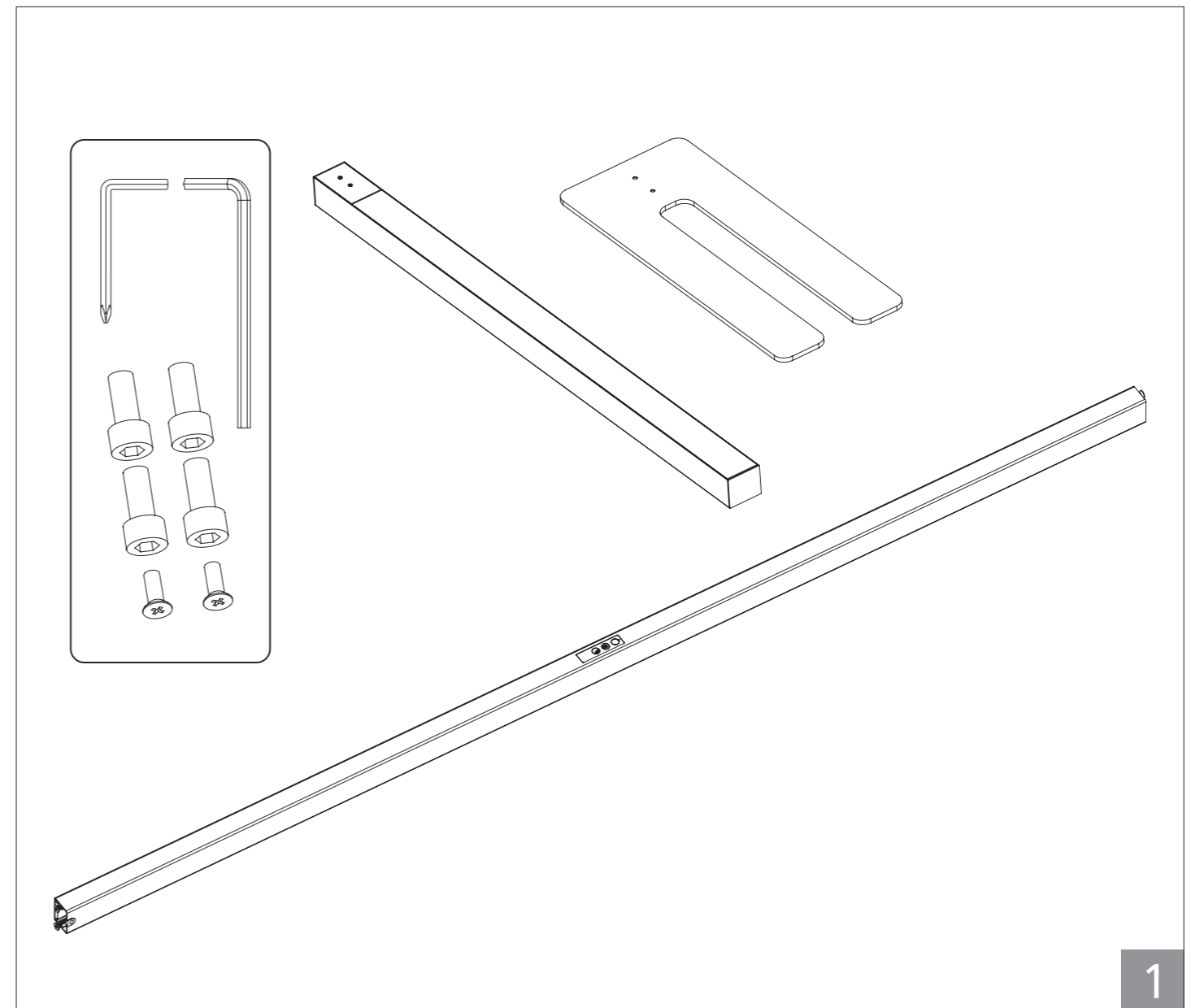


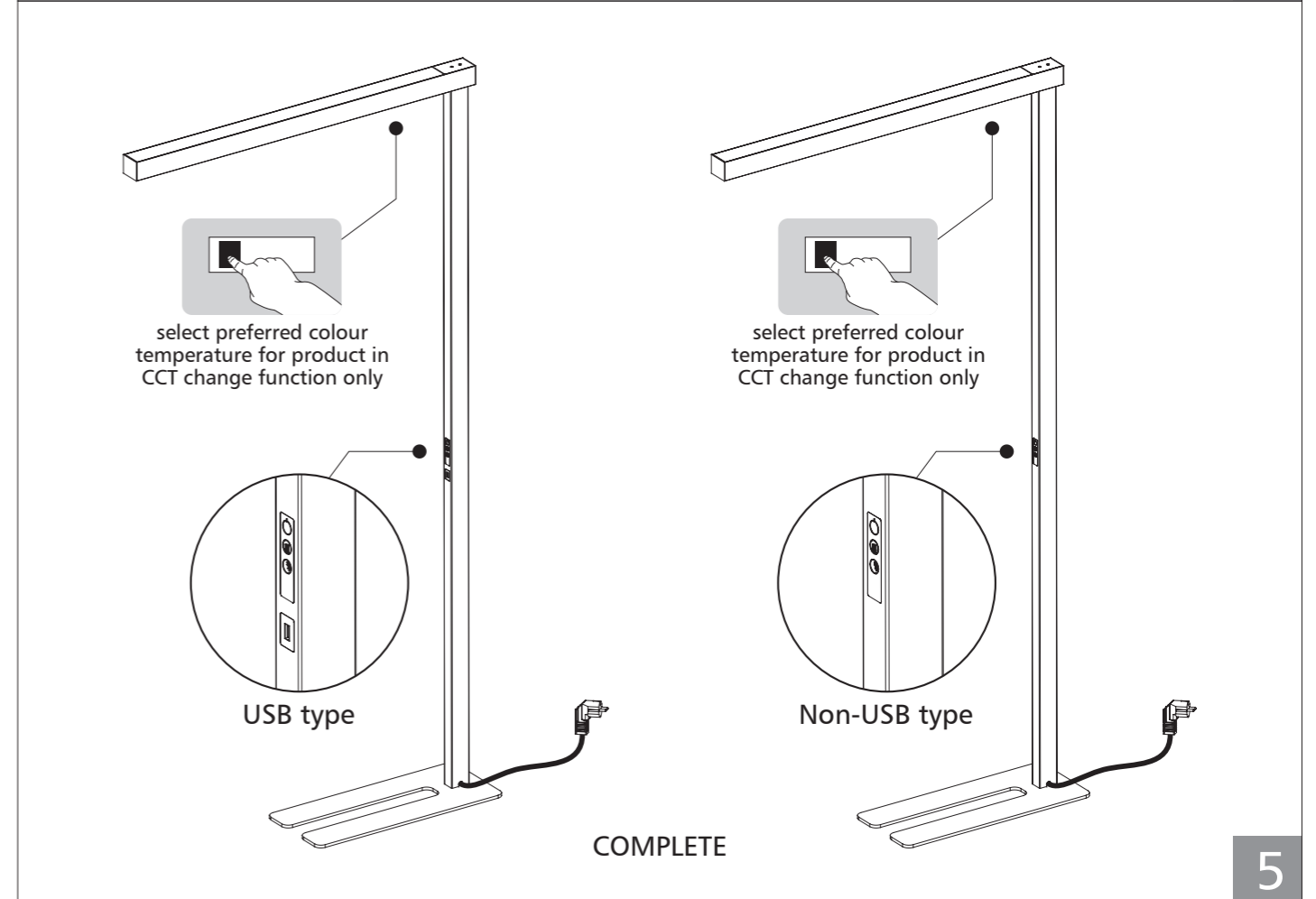
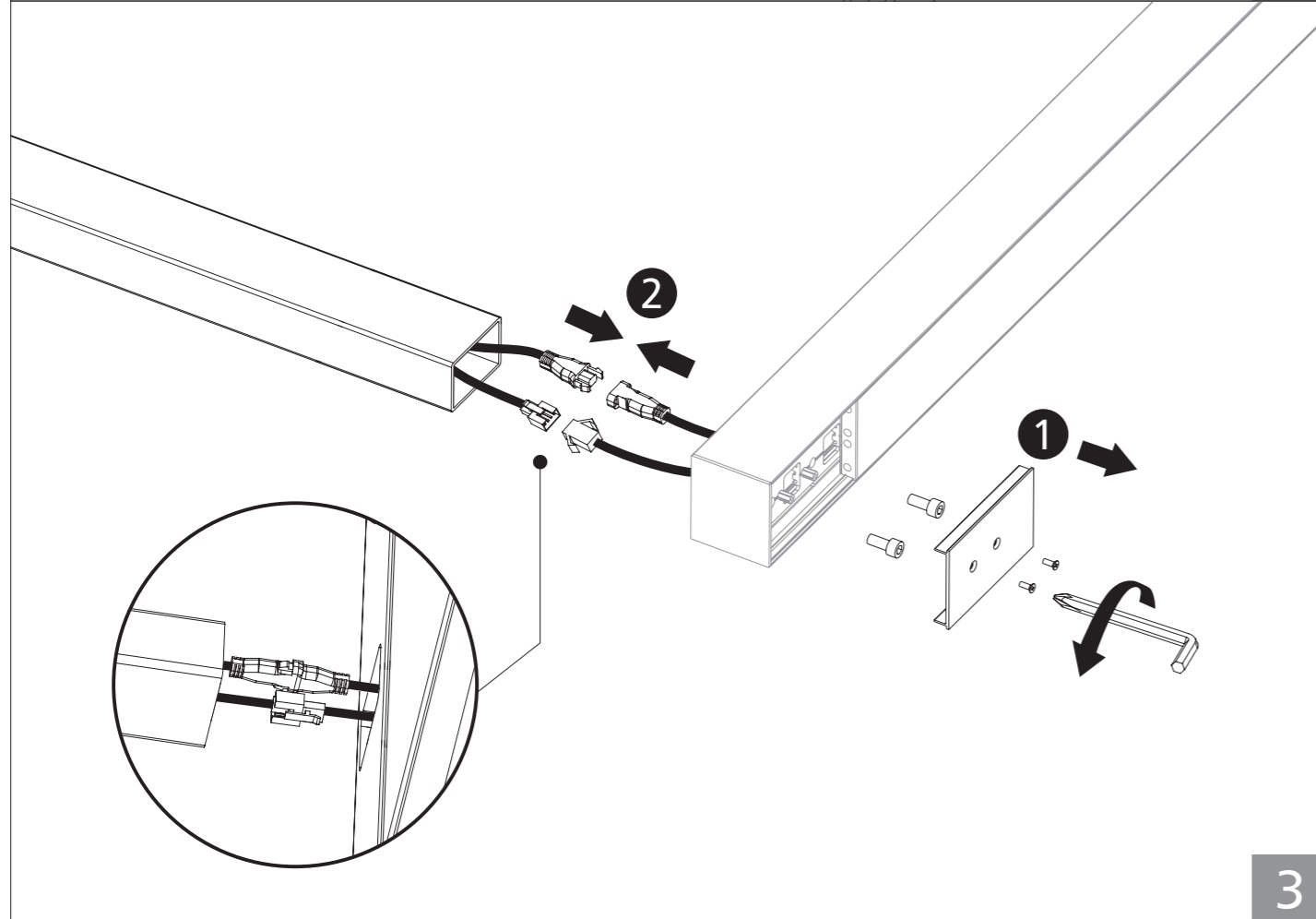
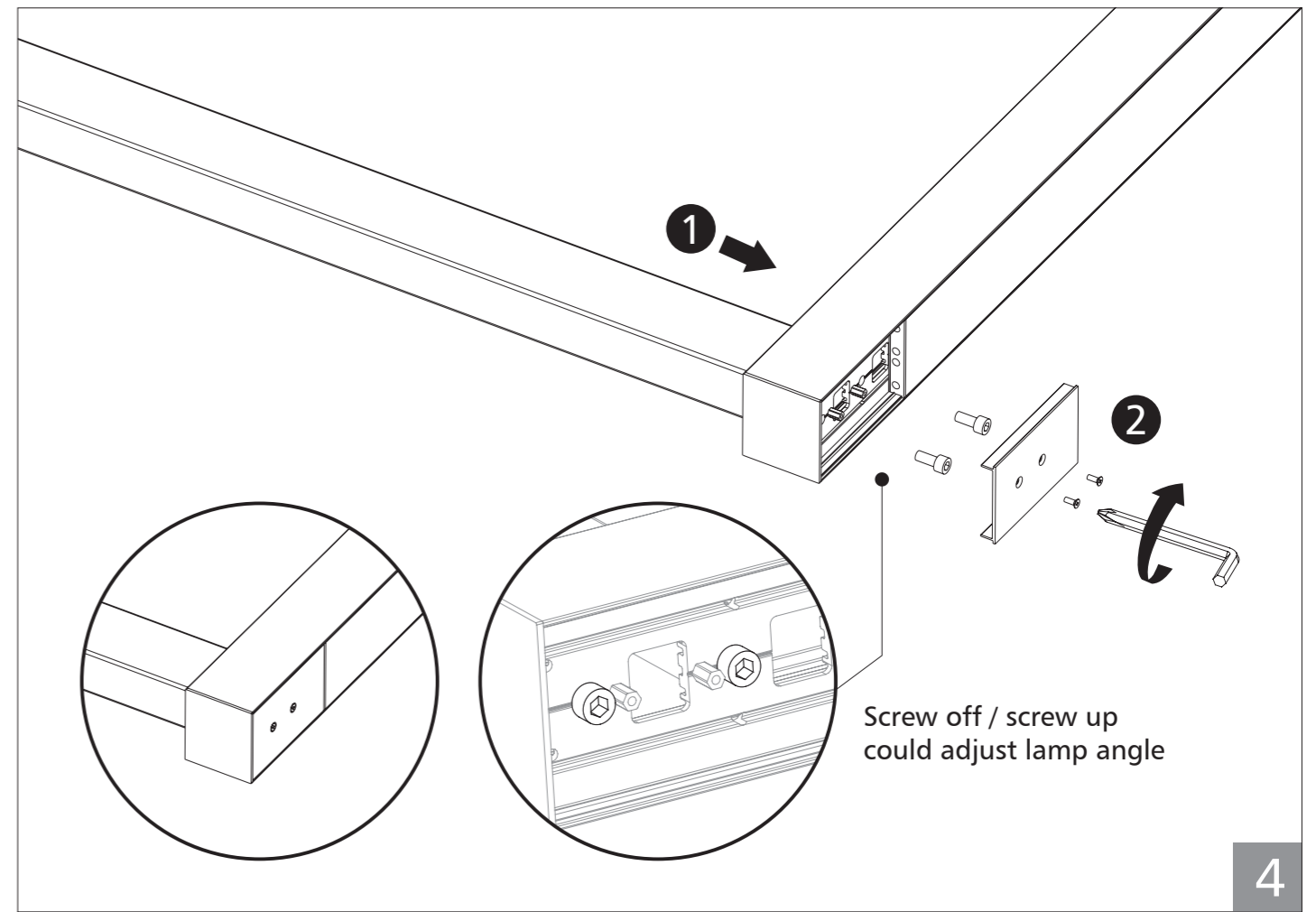
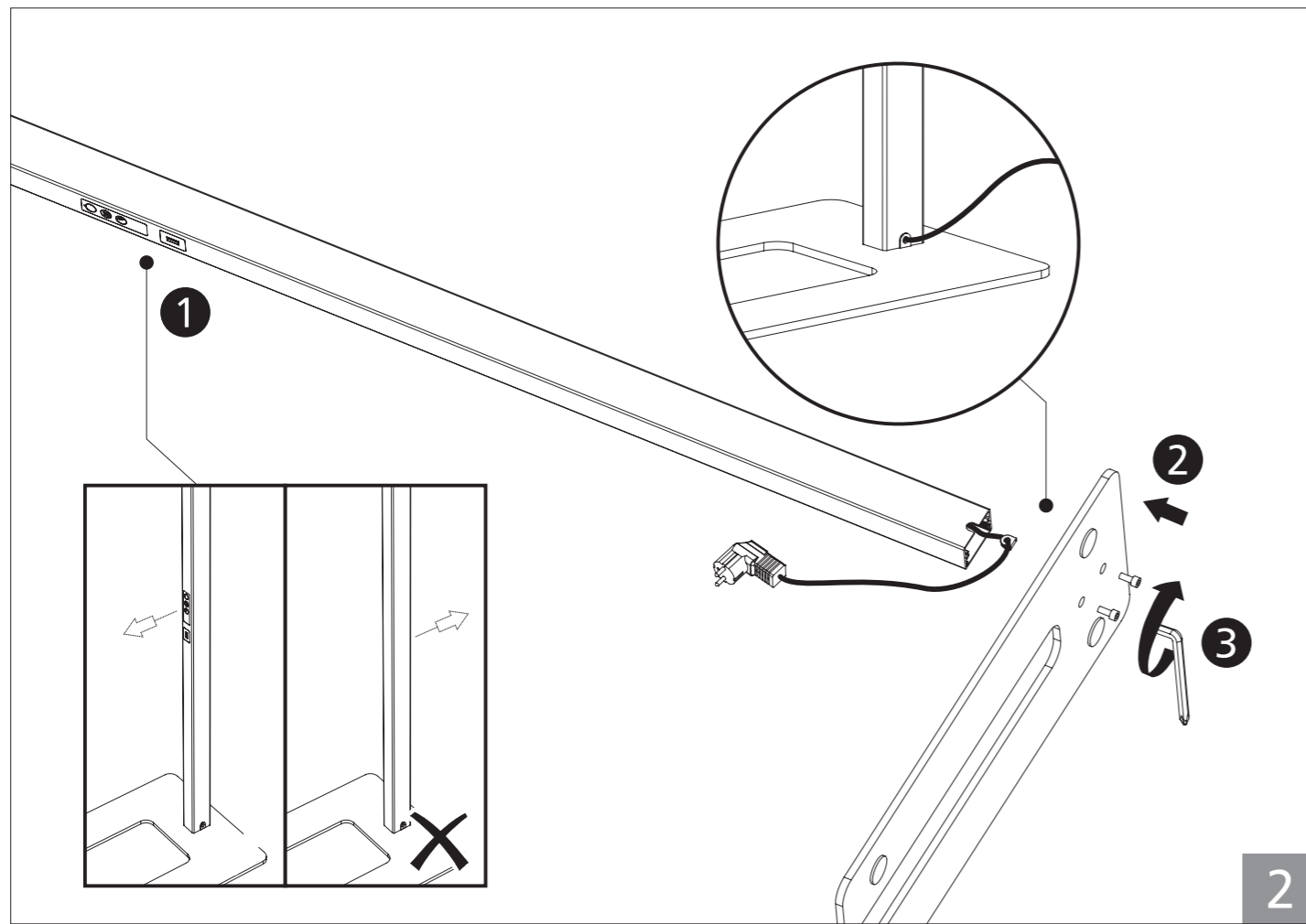
WARNING ⚡

1. Switch off before installation / maintenance.
2. Switch on only after complete installation and examination of the circuit.
3. Professional electrician for installation and maintenance only.



■ Pedestal installation





Desktop installation

