

COMMERCIAL LIGHTING



QR - SHOP

accutron_{ag}
Batterien & LED Beleuchtung
www.accutron.ch
Tel. +41 43 266 20 50 sales@accutron



LED Linear light
DB198 Series



Introduction

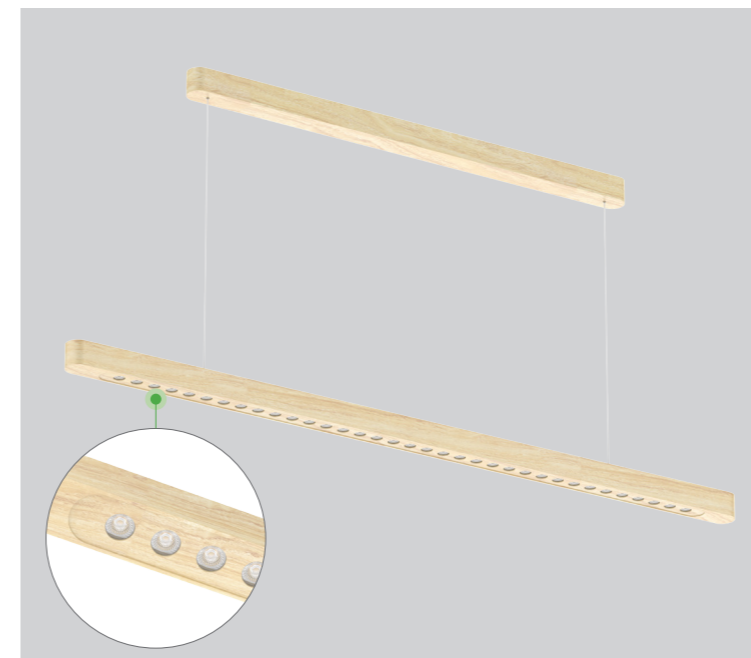
It is a suspended workplace luminaire with a strong focus on sustainability with minimal climate footprints. With a wooden frame, micro-prism louvre optic in PC reflectors, and reduced plastic components, the luminaire is made up of 70% recycled or renewable material. High-quality extruded aluminium structures embedded inside provide excellent thermal management. With fewer materials and components this pendant can easily be disassembled and re-cycled. Beyond its construction, it offers exceptional operation efficiency and optimal up and down lit experience. The softness of the wood and the warm atmosphere created by the glare-free lighting will bring a modern and unique style to any office environment.

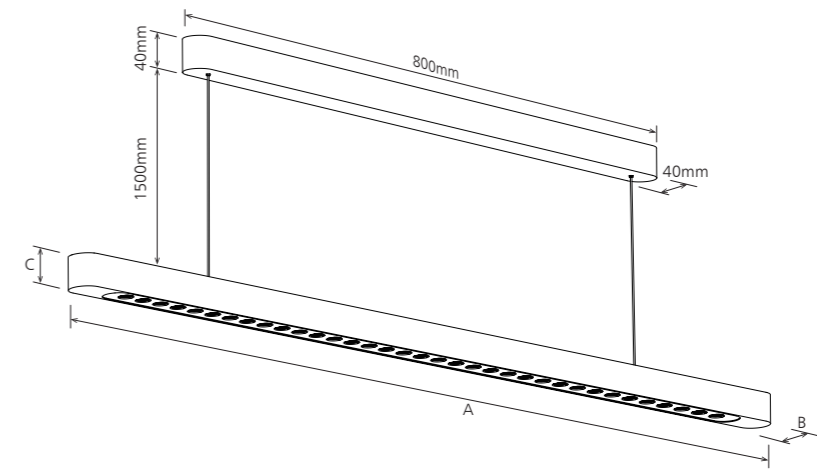
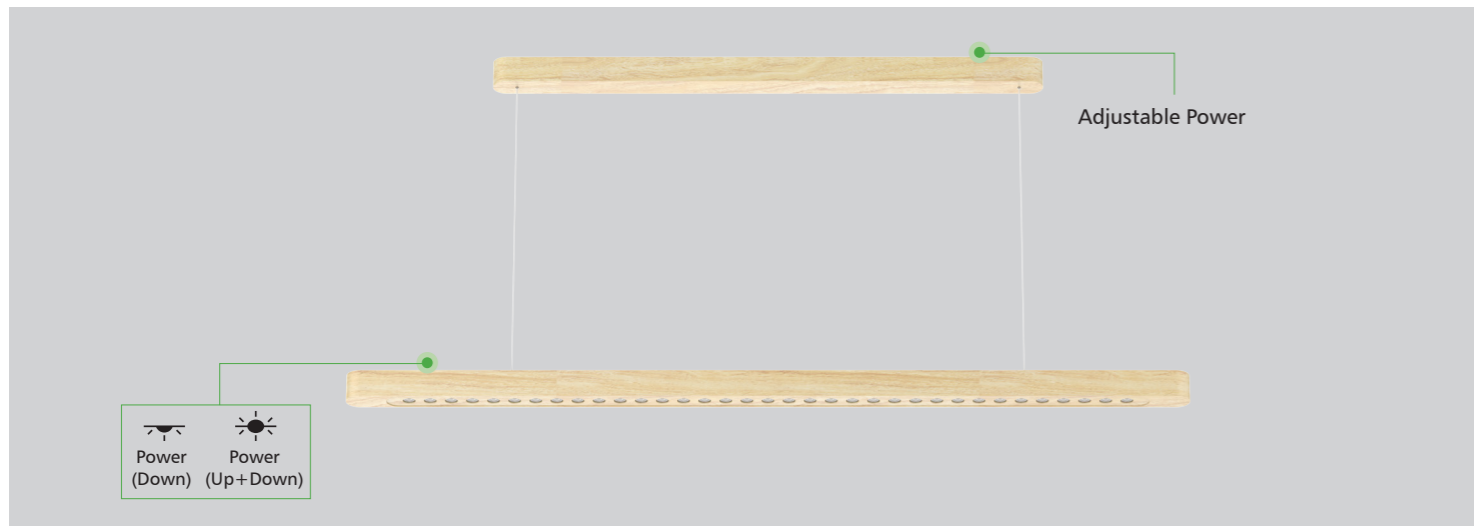
Features

- Power adjustable with DIP switch
- Direct and indirect light distribution
- High lumen efficacy reach up to 140lm/W
- UGR<19
- Single CCT 3000K/4000K
- Pendant installation, height adjustment of the wire via friction lock in the luminaire
- DALI dimmable for option
- Climate-friendly material source

Application Areas

It is designed for indoor applications in office, restaurant, hotel, cafe, bar, museum etc.





Technical Data Sheet

Code	DB198-1200-34W-A5					DB198-1500-45W-A5						
Dimension(mm)	1200*40*40					1500*40*40						
Cutout(mm)	-											
Watt(W) Up+Down	34W	31W	29W	27W	25W	45W	42W	40W	38W	36W		
Watt(W) Down	27W	25W	23W	21W	20W	35W	33W	31W	30W	28W		
Rated Input Voltage	AC 220-240V											
Input Voltage	AC198-264V											
LED Module Input	-											
Light Source	SMD											
SDCM	<6											
CCT(K)	1-CCT:3000K/4000K											
CCT Selection DIP Switch	-											
Luminous Flux (lm) ±5% CRI80	1-CCT Up+Down	Non-DIM	4300-4600	3900-4200	3600-3900	3500-3800	3250-3550	5600-6200	5250-5650	5100-5400	5000-5350	4600-5000
		DIM										
	1-CCT Down	Non-DIM	3350-3650	3150-3450	2850-3150	2700-2950	2550-2850	4450-4750	4100-4500	4000-4300	3900-4200	3600-3950
		DIM										
CRI	80											
Beam Angle (°)	36°/60°											
UGR	<19											
LED Driver	Driver built-in											
Dimming Option	DALI											
Sensor	NO											
Emergency Kits	NO											
Electrical Class	Class I											
Ingress Protection(IP Rating)	IP20											
Impact Resistance(IK Rating)	IK03											
Product Finishing	Birch wood natural finish											
Optics Material	PC											
Housing Material	Birch wood											
Lifetime (hr)	50,000h											
Glow wire test (°C)	750°C											
Operating Temp.(°C)	-20°C-45°C											
Storage Temp.(°C)	-20°C~65°C											
Installation	Pendant											

Measurement

Code	Dimension(mm)			Size(mm)	Product Weight (Kg)		Package weight (Kg)		Carton Size(cm)	Qty/CTN	20GP (pcs)	40HQ (pcs)
	A	B	C		N.W/PC	G.W/PC	N.W/CTN	G.W/CTN				
DB198-1200	1200	40	40	1200*40*40	1.5	2.14	9	13.85	133*23.5*23.5	6	2160	4800
DB198-1500	1500	40	40	1500*40*40	1.9	2.69	7.6	11.76	163*23.5*16.5	4	1612	3840

Driver Datasheet(Non-dimmable)

Total load wattage		34W	31W	29W	27W	25W	45W	42W	40W	38W	36W
Total load wattage		27W	25W	23W	21W	20W	35W	33W	31W	30W	28W
Output	Rated output current	800mA	750mA	700mA	650mA	600mA	1050mA	1000mA	950mA	900mA	850mA
	Output Voltage range	DC24-42V					DC24-40V			DC24-42V	
	Line Regulation	±5%									
	Setup Rise Time	≤0.5S @230V									
	Flickering Index	≤1%(NO RISK)									
	IEC-PST	≤1									
Input	CIE (SVM)	≤0.4									
	Rated Input Voltage	220-240VAC									
	Input Voltage	198-264VAC									
	Frequency	50/60Hz									
	Rated Input Current	≤0.18A	≤0.16A	≤0.15A	≤0.14A	≤0.13A	≤0.23A	≤0.22A	≤0.21A	≤0.20A	≤0.19A
	Input Current	≤0.20A	≤0.18A	≤0.17A	≤0.16A	≤0.15A	≤0.26A	≤0.24A	≤0.23A	≤0.22A	≤0.21A
	Power Factor	0.9									
	THD	<20% @230V									
	Efficiency	≥86%					≥87%				
	Inrush current	7.2A/190uS									
	No load wattage	<0.5W @230V									
Stand-by power consumption	-										
Protection	Short circuit protection	PASS									
	Over voltage protection	PASS									
	Over temperature protection	PASS									
Safety & EMC	Withstand voltage	I/P-FG:1.5KVac, <5mA 60S									
	Isolation Resistance	500VDC, ≥2M Ω									
	Surge	IEC/EN61000-4-5 (P≥25W L-N:1KV, L/N-PE:2KV)									
	EMC Emission	EN55015, EN61000-3-2									
	EMC Immunity	EN61000-4-2,3,4,5,6,8,11; EN61547									

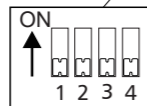
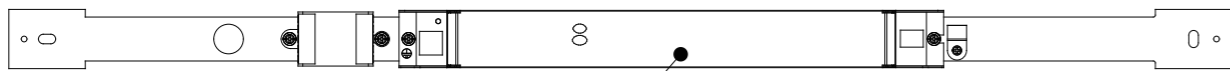
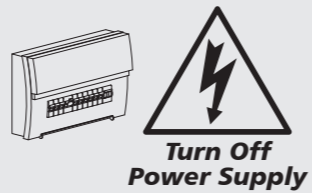
Driver Datasheet(DALI Dimmable)

Total load wattage		34W	31W	29W	27W	25W	45W	42W	40W	38W	36W	
		27W	25W	23W	21W	20W	35W	33W	31W	30W	28W	
Output	Rated output current	800mA	750mA	700mA	650mA	600mA	1050mA	1000mA	950mA	900mA	850mA	
	Output Voltage range	DC6-42V					DC6-40V		DC6-42V			
	Line Regulation	±5%										
	Setup Rise Time	≤0.5S @230V										
	Flickering Index	≤1%(NO RISK)										
	IEC-PST	≤1										
	CIE (SVM)	≤0.4										
Input	Rated Input Voltage	220-240VAC										
	Input Voltage	198-264VAC										
	Frequency	50/60Hz										
	Rated Input Current	≤0.18A	≤0.16A	≤0.15A	≤0.14A	≤0.13A	≤0.23A	≤0.22A	≤0.21A	≤0.20A	≤0.19A	
	Input Current	≤0.20A	≤0.18A	≤0.17A	≤0.16A	≤0.15A	≤0.26A	≤0.24A	≤0.23A	≤0.22A	≤0.21A	
	Power Factor	0.9										
	THD	<20% @230V										
	Efficiency	≥86%										
	Inrush current	4A/170uS										
	No load wattage	-										
Protection	Stand-by power consumption	<0.5W @230V										
	Short circuit protection	PASS										
	Over voltage protection	PASS										
Safety & EMC	Over temperature protection	PASS										
	Withstand voltage	I/P-FG:1.5KVac,<5mA 60S										
	Isolation Resistance	500VDC, ≥2M Ω										
	Surge	IEC/EN61000-4-5 (P≥25w L-N:1KV, L/N-PE:2KV)										
Safety & EMC	EMC Emission	EN55015, EN61000-3-2										
	EMC Immunity	EN61000-4-2,3,4,5,6,8,11; EN61547										

Installation Procedure

WARNING

1. Switch off before installation.
2. Switch on only after complete installation and examination of the circuit.
3. Professional electrician for installation and maintenance only.



1200mm				
ON ↑	1 2 3 4	1 2 3 4	1 2 3 4	1 2 3 4
	34W (Up+Down)	31W (Up+Down)	29W (Up+Down)	27W (Up+Down)
	27W(Down)	25W(Down)	23W(Down)	21W(Down)

1500mm				
1 2 3 4	1 2 3 4	1 2 3 4	1 2 3 4	1 2 3 4
	45W (Up+Down)	42W (Up+Down)	40W (Up+Down)	38W (Up+Down)
	35W(Down)	33W(Down)	31W(Down)	30W(Down)

Pendant installation

