

# ARCHITECTURAL LIGHTING

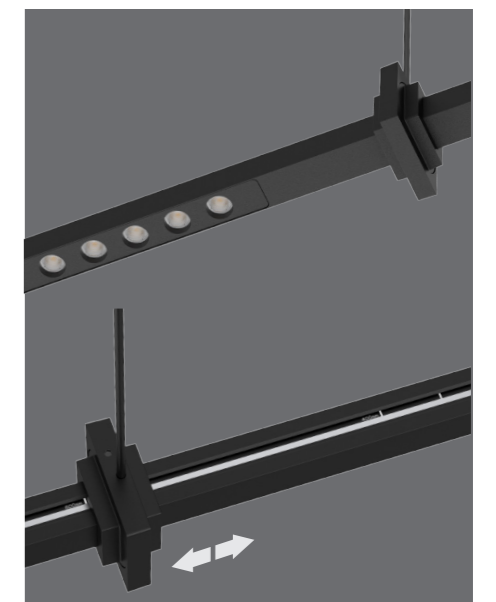
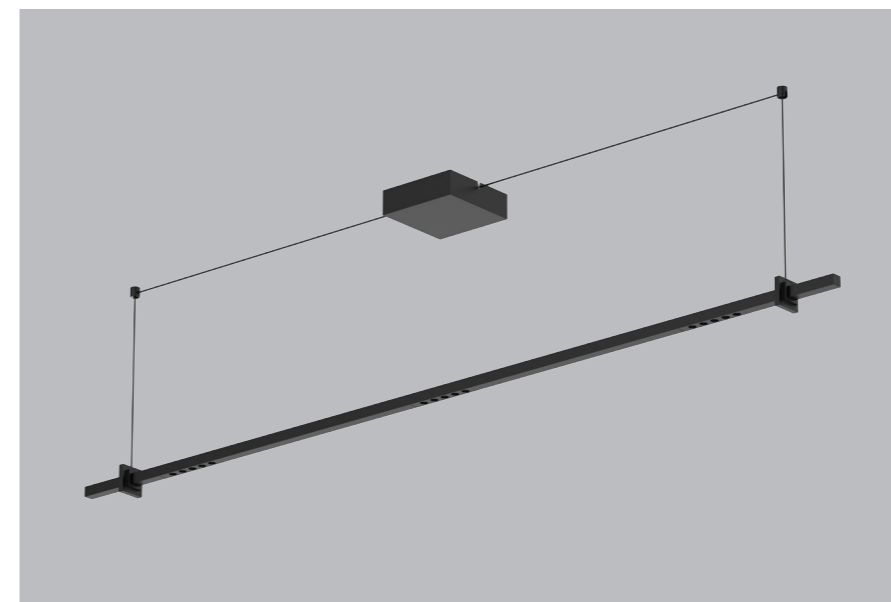
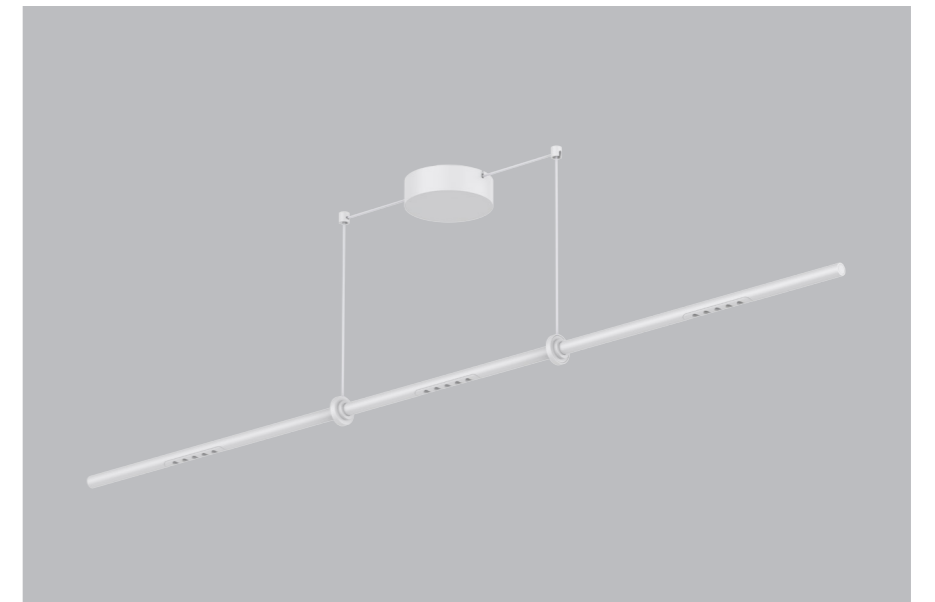
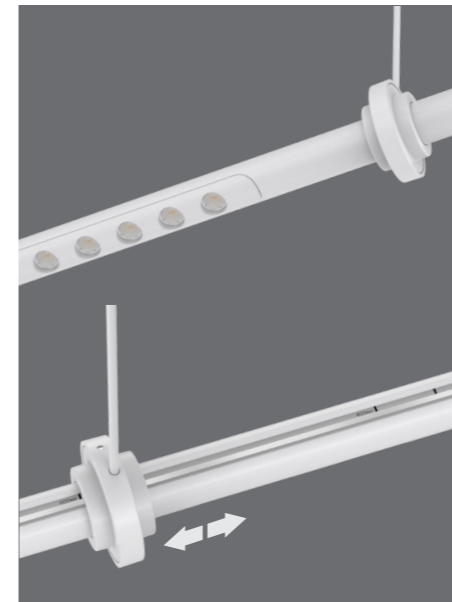


QR - SHOP

**accutron** ag  
Batterien & LED Beleuchtung  
www.accutron.ch  
Tel. +41 43 266 20 50 sales@accutron



LED Linear  
DB195 Series



## DB195

## IP20

This chandelier is an exquisitely slender fixture which is seamlessly integrates into delicate environments. It incorporates internal lens and reflector to reach anti-glare UGR<19, ensuring a harmonious illumination effect. The overall lamp body crafted from high-quality aluminum AL6063 for great thermal management. Furthermore, it adopts internal flicker free driver, support 0-10V dim and DALI dim.

### FEATURES

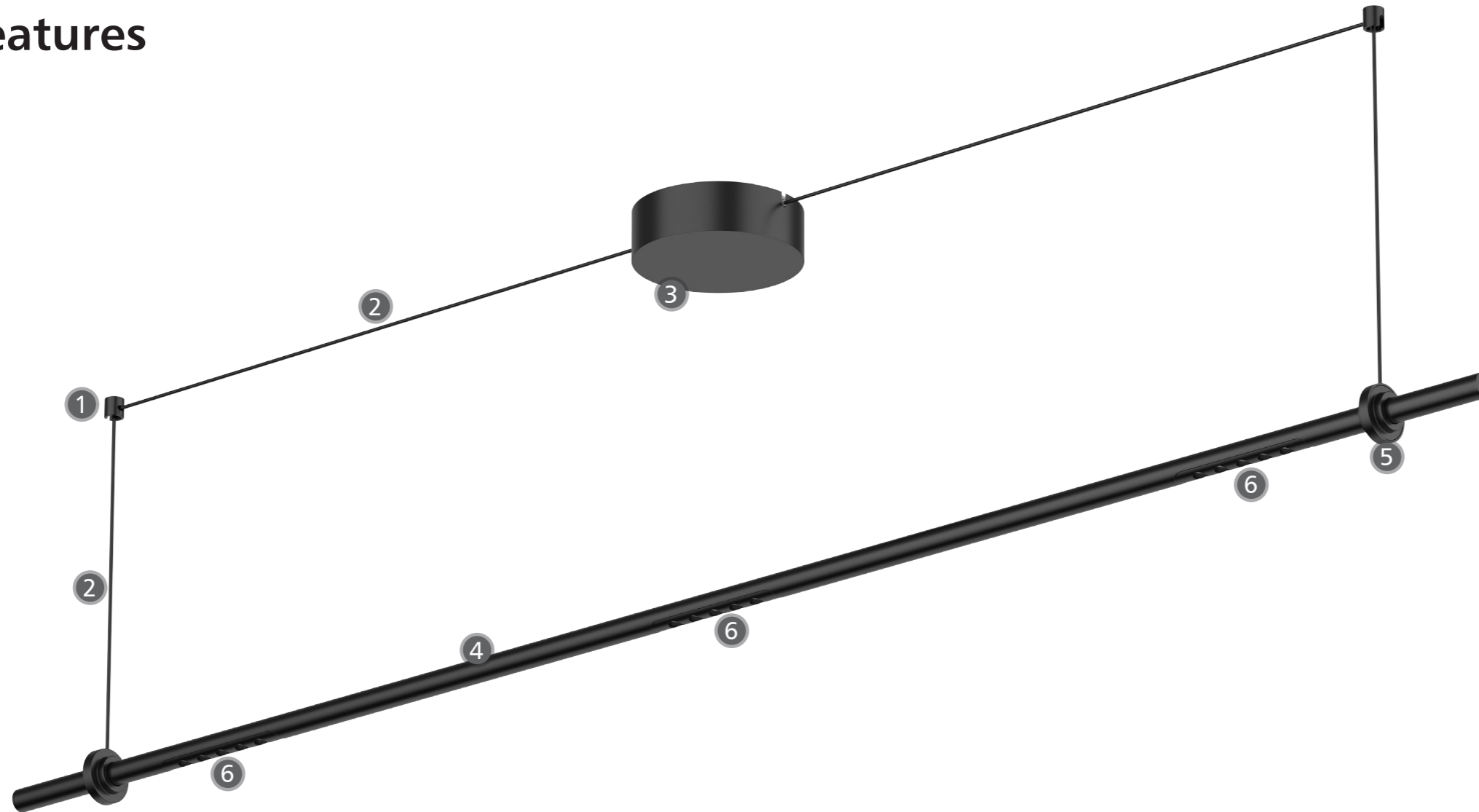
- Exquisite design with slender lamp body
- Anti-glare design, UGR<19
- Installation way: Suspended with ceiling plate
- Finished color: White RAL9016, Black RAL9005
- Sliding DC wiring holder
- Internal flicker free driver
- Dimming way: 0-10V, DALI

### APPLICATIONS

It is designed for indoor applications in dining room, kitchen island, restaurant, hotel, cafe, bar, museum etc.

LED Linear

# Technical Features



1

Ceiling brackets are in the same colour as the fixture, can be located in different position along the axis of the fixture to adjust suspension height of the fixture.

2

The 2.5 mm thick cables are made of sturdy and resistant elastomer material. For this reason and because the operating voltage on the lamp is safe and does not exceed 36V, the fixture can be suspended solely on the power cables.

3

Round and square mounting box can be paired with light fixtures of different shapes. It has two functions, as it covers the power connection and serves as a holder for the power wires. During installation, you can slightly adjust the installation height of the light fixture by the small button on the side of the mounting box to shorten or lengthen the DC cable, according to the actual application.

4

Circular and square shapes in three sizes 840/ 1370/ 1900mm. The lamp body based on a thin-walled aluminium profile with a diameter of only 16mm – visually and materially it is extremely lightweight. The light-emitting module are spaced apart to create a uniform spot of light.

5

The adjustable DC wire contact module allows the DC slider to be moved to the desired position according to the scene requirements.

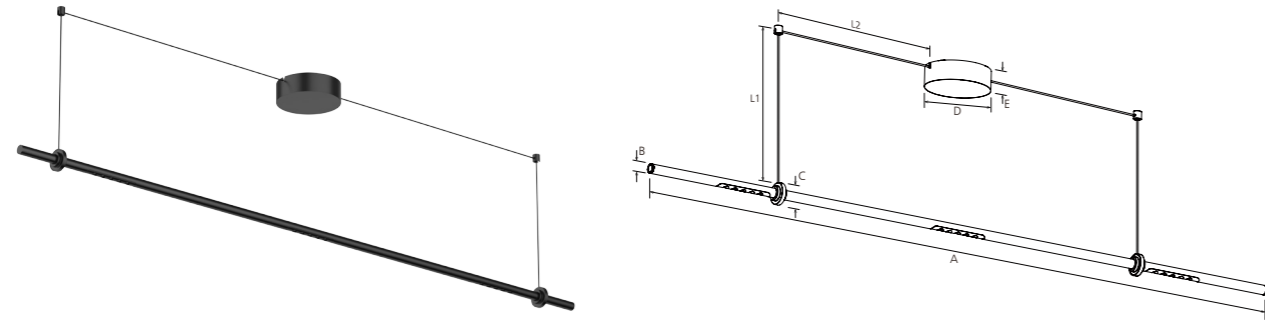
6

The luminous part is controlled by a lens combined with a grid reflector to control light and achieves  $UGR < 19$ .



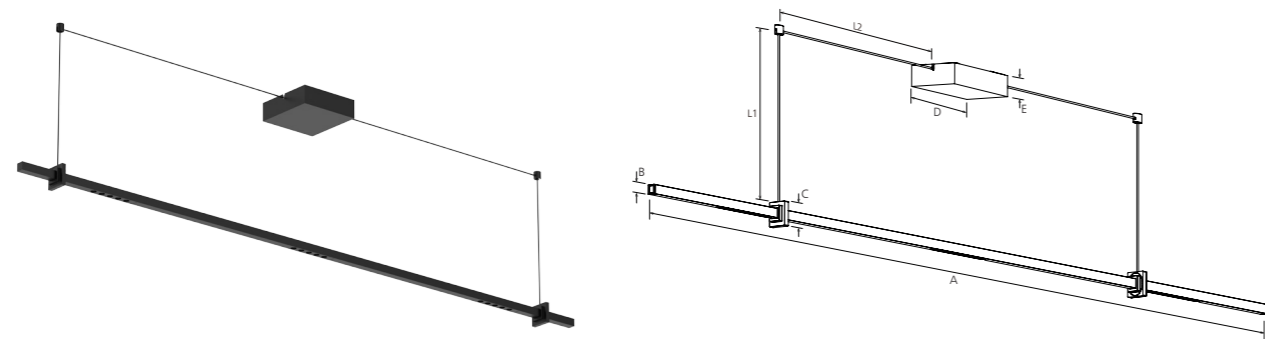
## PRODUCT DIMENSION

ART-DB195A



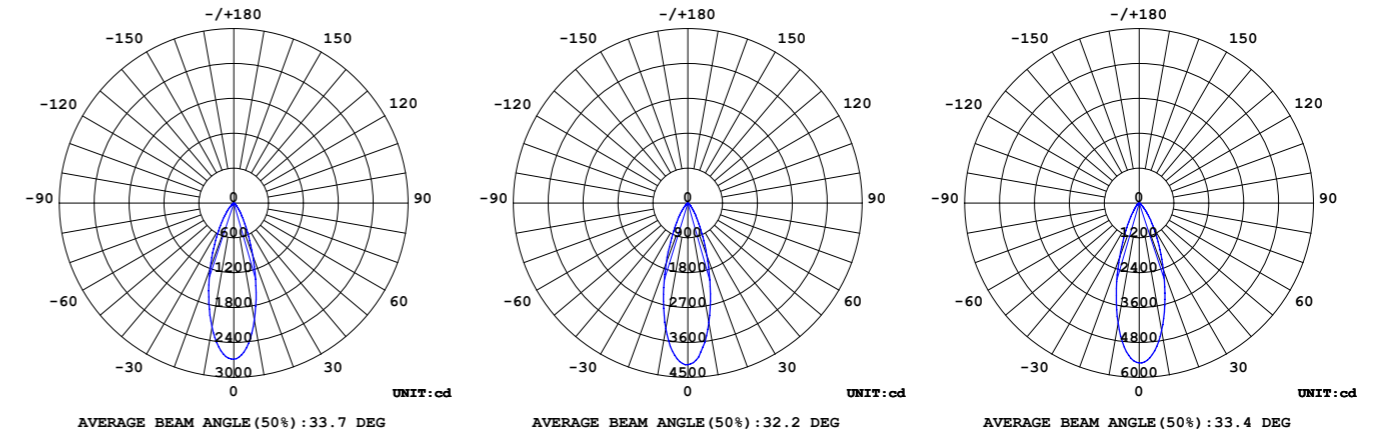
Model	Dimension(mm)						Size(mm)
	A	B	C	D	E	L1+L2	
ART-DB195A-840	840	Ø18	Ø42	Ø125	39	1700	L840*Ø18
ART-DB195A-1370	1370	Ø18	Ø42	Ø125	39	1900	L1370*Ø18
ART-DB195A-1900	1900	Ø18	Ø42	Ø125	39	2300	L1900*Ø18

ART-DB195B



Model	Dimension(mm)						Size(mm)
	A	B	C	D	E	L1+L2	
ART-DB195B-840	840	16	42	125	39	1700	L840*W16*H16
ART-DB195B-1370	1370	16	42	125	39	1900	L1370*W16*H16
ART-DB195B-1900	1900	16	42	125	39	2300	L1900*W16*H16

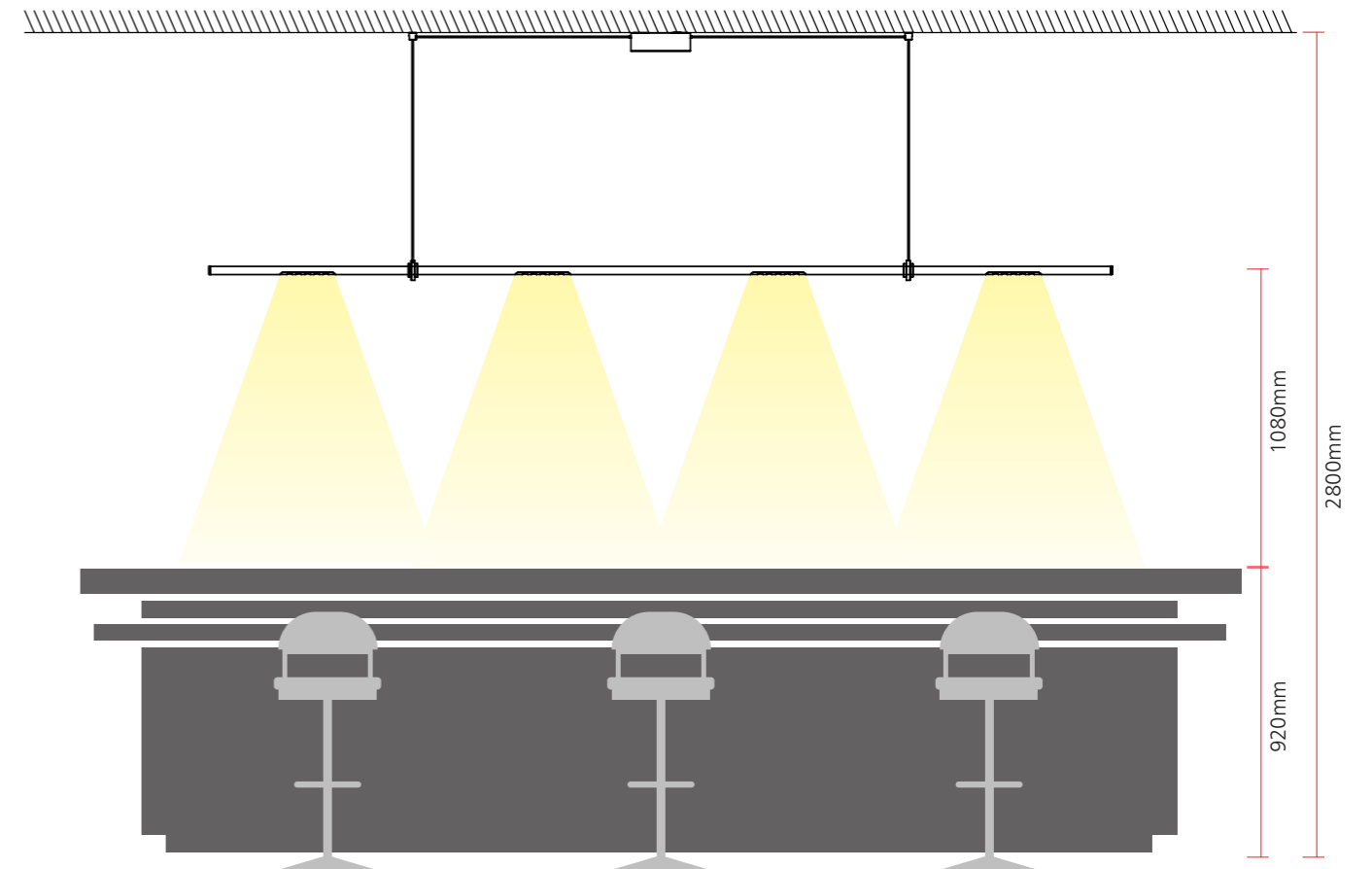
## OPTICS



## Suspension height

In the example used, the table is 2200mm long and its height is 920mm. With this arrangement of the components, we assume that the fixture is suspended about 1080mm above the table.

This arrangement provides comfortable lighting of the table. The suspension height can of course be adjusted at the installation stage.



## BASIC INFORMATION

Housing Material	Aluminium
Product Finishing	White RAL9016, Black RAL9005
Optic Material	Lens/PMMA
Light Source	SMD
SDCM	< 6
CRI	80
Lifetime(hr)	50,000h
LED Driver	Driver built-in, flicker free
Installation	Pendant
Electrical Class	Class I
Operating Temp.(°C)	-20°C~45°C
Storage Temp.(°C)	-20°C~65°C
Glow Wire Test (°C)	650°C

## FEATURES & BENEFITS

General Efficacy	120lm/W
CCT Selection DIP Switch	1 CCT
Watt Selection DIP Switch	-
Dimming Option	DALI / 0-10V
Functions	-
UGR	< 19
Ingress Protection (IP Rating)	IP20
Impact Resistance (IK Rating)	-
Certification	RoHS/ CE

## DRIVER DATASHEET(0-10V DIMMABLE)

Total load wattage		10W	15W	20W
Output	Rated output current	280mA	420mA	560mA
	Output Voltage range	DC28-40V		
	Line Regulation	±5%		
	Setup, Rise Time	< 0.5S@230V		
	Flickering Index	3%,IEEE1789 NO RISK		
Input	Rated Input Voltage	AC220-240V		
	Input Voltage	AC198-264V		
	Frequency	50/60Hz		
	Rated Input Current	≤0.05A	≤0.08A	≤0.10A
	Input Current	≤0.06A	≤0.09A	≤0.12A
	Power Factor	0.9		
	THD	<20% @230V		
	Efficiency	≥82%	≥83%	
	No load wattage	<0.5W @230V		
	Protection	Short circuit protection	PASS	
Over voltage protection		PASS		
Over temperature protection		PASS		
Safety &EMC	Withstand voltage	I/P-FG:1.5kVac, <5mA 60S		
	Isolation Resistance	500VDC, ≥2M Ω		
	Surge	IEC/EN61000-4-5 (L-N:1KV, L/N-PE:2KV)		
	EMC Emission	EN55015, EN61000-3-2		
EMC Immunity	EN61000-4-2,3,4,5,6,8,11; EN61547			

## TECHNICAL DATA SHEET

CODE	ART-DB195A-840-10W	ART-DB195A-1370-15W	ART-DB195A-1900-20W	ART-DB195B-840-10W	ART-DB195B-1370-15W	ART-DB195B-1900-20W	
Dimension(mm)	L840*Ø18	L1370*Ø18	L1900*Ø18	L840*W16*H16	L1370*W16*H16	L1900*W16*H16	
Cutout (mm)	-						
Watt(W)	10W	15W	20W	10W	15W	20W	
Input Voltage	AC 220-240V						
LED Module Input	-						
Light Source	SMD						
CCT(K)	1-CCT: 3000K/4000K						
CCT Selection DIP Switch	-						
Luminous Flux (lm) ±5% CRI80	1-CCT	Non-DIM	-				
		DIM	1050-1250	1600-1800	2050-2400	1100-1300	1650-1850
	3-CCT	Non-DIM	-				
		DIM	-				
Remark: The lumen value is based on white lamp, and the lumen value of black light fixtures will decrease by around 6%.							
Beam Angle (°)	36°						
UGR	< 19						
Dimming Option	DALI/ 0-10V						
Sensor	-						
Emergency	-						
N.W/PC(KG)	0.75	0.94	1.08	0.89	1.10	1.26	
G.W/CTN(KG)	7.82	9.82	11.76	8.66	10.78	12.84	
Qty/CTN(PCs)	6	6	6	6	6	6	
Carton Size(mm)	1020*380*170	1550*380*170	2080*380*165	1020*380*170	1550*380*170	2080*380*165	

## DRIVER DATASHEET(DALI DIMMABLE)

Total load wattage		10W	15W	20W
Output	Rated output current	275mA	425mA	550mA
	Output Voltage range	DC28-40V		
	Line Regulation	±5%		
	Setup, Rise Time	< 1S@230V		
	Flickering Index	3%,IEEE1789 NO RISK		
Input	Rated Input Voltage	AC220-240V		
	Input Voltage	AC198-264V		
	Frequency	50/60Hz		
	Rated Input Current	≤0.05A	≤0.08A	≤0.10A
	Input Current	≤0.06A	≤0.09A	≤0.12A
	Power Factor	0.9		
	THD	<20% @230V		
	Efficiency	≥84%	≥86%	
	No load wattage	<0.5W @230V		
	Protection	Short circuit protection	PASS	
Over voltage protection		PASS		
Over temperature protection		PASS		
Safety &EMC	Withstand voltage	I/P-FG:1.5kVac, <5mA 60S		
	Isolation Resistance	500VDC, ≥2M Ω		
	Surge	IEC/EN61000-4-5 (L-N:1KV, L/N-PE:2KV)		
	EMC Emission	EN55015, EN61000-3-2		
EMC Immunity	EN61000-4-2,3,4,5,6,8,11; EN61547			