

Entry / ECO

Standard / STD

Professional / PRO

ODM & OEM

Intelligent / INT



QR - SHOP

accutron_{ag}
Batterien & LED Beleuchtung
www.accutron.ch
Tel. +41 43 266 20 50 sales@accutron



LED Batten Light
DB186A/B-PLUS Series





Introduction

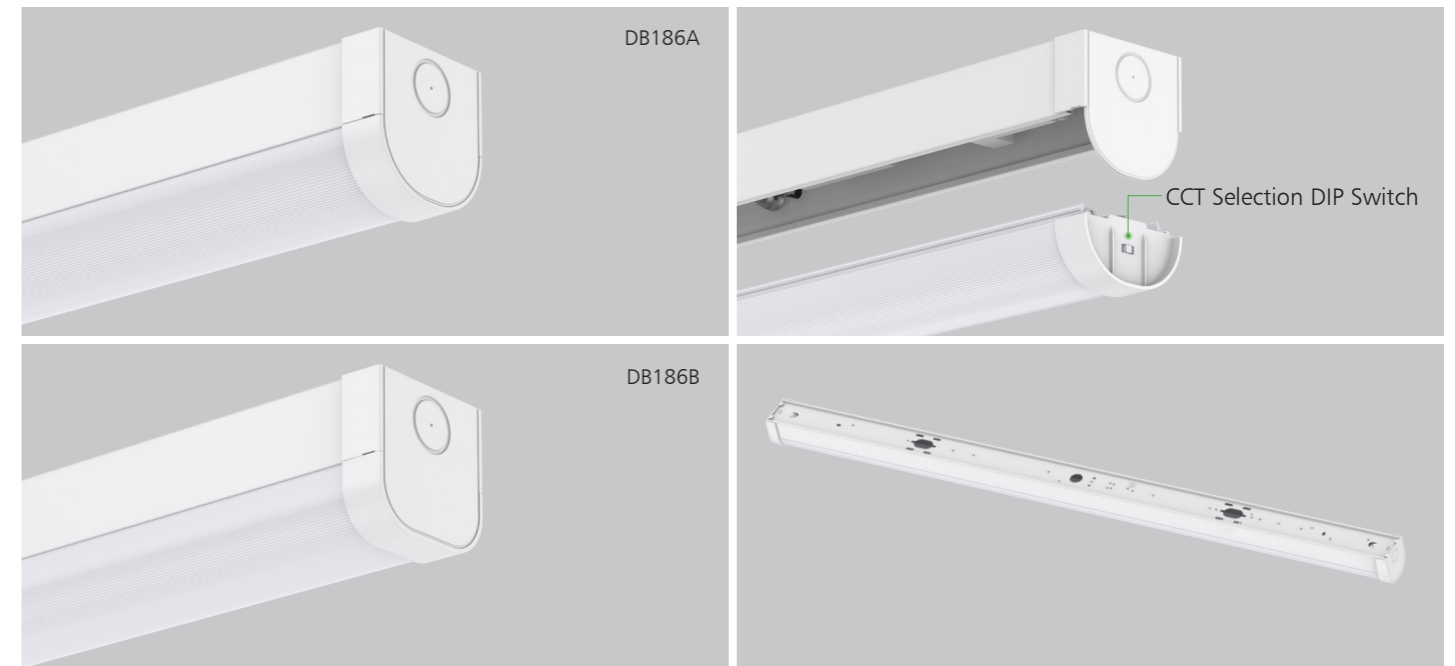
This is a high quality LED batten with high lumen efficiency and modular design. It adopts high lumen efficiency SMD light source, PC cover is internal stripe design which makes a uniform light output. Based on adjustable CCT and adjustable power functions, it has plug in/plug out modular with microwave sensor, emergency, microwave sensor+emergency which can be stocked as accessory. For installation, it utilizes plastic flexibility to clips the light source part into bracket, the end cap mounting hole allows loop in/ loop out connection, which offers more possibility for wider applications.

Features

- Compact design with screwless surface, which fits the ceiling tightly
- Adjustable power with DIP switch
- High lumen efficiency, 150lm/W@4000K
- Functions: adjustable CCT, microwave sensor, emergency, microwave sensor+emergency
- End cap with mounting hole for loop in/ loop out connection
- Size options: 1200/1500/1800mm
- Internal flicker free driver

Application Areas

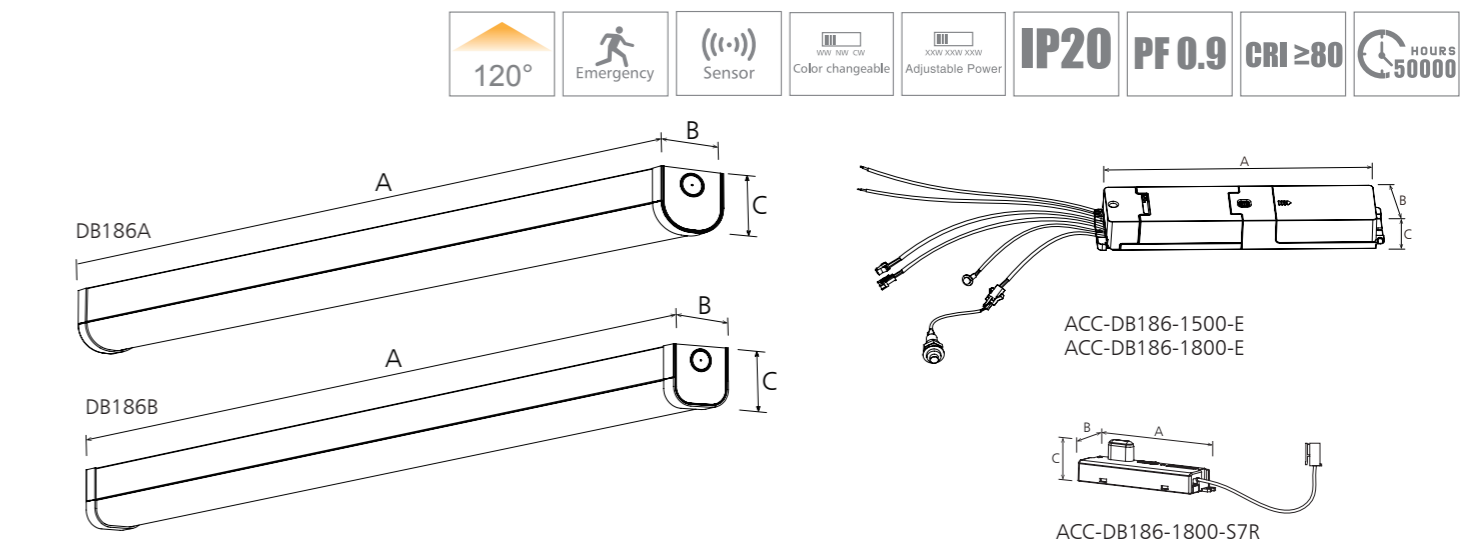
It is widely used in workshop, warehouse, parking lot, factories, shopping mall etc.





Technical Data Sheet

Code	DB186A-1200-40W DB186B-1200-40W	DB186A-1500-50W DB186B-1500-50W	DB186A-1800-60W DB186B-1800-60W	
Dimension(mm)	1200*65*66	1500*65*66	1800*65*66	
Cutout (mm)	-			
Watt(W)	40W@max (optional:35W / 25W / 20W)	50W@max (optional:40W / 35W / 25W)	60W@max (optional:50W / 40W / 30W)	
Rated Input Voltage	AC 220-240V			
Input Voltage	AC 198-264V			
LED Module Input	-			
Light Source	SMD			
SDCM	< 6			
CCT(K)	1-CCT: 3000K/4000K/5000K/5700K 3-CCT: 3000K + 4000K + 5700K			
CCT Selection DIP Switch	YES			
Luminous Flux (lm) ±5% CRI80	1-CCT Non-DIM	20W: 2800-3100 25W: 3550-3850 35W: 4950-5250 40W: 5600-6000	25W: 3600-3900 35W: 4950-5400 40W: 5650-6100 50W: 7000-7500	30W: 4400-4800 40W: 5600-6000 50W: 7000-7500 60W: 8400-9000
	3-CCT Non-DIM	20W: 2800-3100 25W: 3550-3850 35W: 4950-5250 40W: 5600-6000	25W: 3600-3900 35W: 4950-5400 40W: 5650-6100 50W: 7000-7500	30W: 4400-4800 40W: 5600-6000 50W: 7000-7500 60W: 8400-9000
CRI	80			
Beam Angle (°)	120°			
UGR	-			
LED Driver	Driver built-in			
Dimming Option	-			
Sensor	Microwave sensor			
Emergency Kits	YES			
Electrical Class	Class I			
Ingress Protection(IP Rating)	IP20			
Impact Resistance(IK Rating)	IK06			
Product Finishing	White RAL 9016			
Optics Material	PC			
Housing Material	PC / SPCC			
Lifetime (hr)	50,000H			
Glow wire test (°C)	750°C			
Operating Temp.(°C)	-20~-40°			
Storage Temp.(°C)	-20~-65°			
Installation	Surface mount / Pendant			



Measurement

Code	Dimension(mm)			Size(mm)	Product Weight (Kg)		Package weight (Kg)		Carton Size(cm)	Qty/CTN	20GP (pcs)	40HQ (pcs)
	A	B	C		N.W/PC	G.W/PC	N.W/CTN	G.W/CTN				
DB186A/B-1200	1200	65	66	1200*65*66	0.95	1.34	5.7	8.88	131.5*24.5*19.5	6	2508	5928
DB186A/B-1500	1500	65	66	1500*65*66	1.14	1.61	6.84	10.66	161.5*24.5*19.5	6	2046	4992
DB186A/B-1800	1800	65	66	1800*65*66	1.33	1.88	7.98	12.44	191.5*24.5*19.5	6	1782	4212
ACC-DB186-1800-S7R	104	26	28	104*26*28	0.03	0.046	2.16	3.72	35*26*22.5	72	99360	220968
ACC-DB186-1500-E	203.5	42	25	203.5*42*25	0.23	0.27	11.50	14.25	47*29*42.5	50	23250	56700
ACC-DB186-1800-E	203.5	42	25	203.5*42*25	0.23	0.27	11.50	14.25	47*29*42.5	50	23250	56700

Driver Datasheet(Non-dimmable)

Total load wattage		40W/35W/25W/20W	50W/40W/35W/25W	60W/50W/40W/30W
Output	Rated output current	270mA@max(optional:230mA / 170mA / 135mA)	335mA@max(optional:270mA / 235mA / 170mA)	420mA@max(optional:360mA / 275mA / 210mA)
	Output Voltage range	DC120-150V		
	Line Regulation	±5%		
	Setup Rise Time	≤0.5S @230V		
	Flickering Index	3%(NO RISK)		
Input	Rated Input Voltage	AC 220-240V		
	Input Voltage	AC198-264V		
	Frequency	50/60Hz		
	Rated Input Current	0.2A	0.25A	0.3A
	Input Current	0.21A	0.27A	0.31A
	Power Factor	≥0.9		
	THD	<20% @230V@ MAX Power		
	Efficiency	≥90%@ MAX Power		
Protection	No load wattage	<1W @ 230Vac		
	Short circuit protection	PASS		
	Over voltage protection	PASS		
	Over temperature protection	PASS		
Safety & EMC	Withstand voltage	-		
	Isolation Resistance	-		
	Surge	IEC/EN61000-4-5 (P≥25W L-N:1KV, L/N-PE:2KV)		
	EMC Emission	EN55015, EN61000-3-2		
EMC Immunity	EN61000-4-2,3,4,5,6,8,11; EN61547			

Datasheet (Emergency)

Input power	3W
Discharge power	2W
Rated Input Voltage(V)	AC230V
Frequency	50/60Hz
Input Voltage	AC200-240V
Rated Input Current	≤0.03A
Battery	6.4V 1500mAh (LifepO4)
Lifetime	Over 2000 cycles
Battery duration	≥3hrs
Charge Period	≤24hrs
Emergency switching time	≤1S
Emergency Operating Temp. (°C)	0°C-25°C

Instructions for automatic test option(AT-version)

1.Once the unit is powered up it will automatically initiate a self test and diagnostics as follows:

- Every 4 seconds: Checks for battery disconnection, charger board fault, lamp failure and transformer failure.
- Every month: Performs a 3 minutes duration test.
- Every year: Performs a 3 Hours duration test.

All test functions are factory preset and do not need field adjustment.

2.Dual Colour Indicator LED Status Mesnings

Green	Solid On	Ready/Normal Operation
	Flashing	Testing
Red	Requires Service	
•	One flash, 4 seconds pause	Battery not connected
••	Two flashes, 4 seconds pause	Low battery voltage
•••	Three flashes, 4 seconds pause	Charger board fault
••••	Four flashes, 4 seconds pause	Charger board fault

NOTE:After repairing a service fault,press and hold the test button for 2 seconds to reset the flashing indicator light to green.

3.Manual Testing

Press test button once	30 seconds duration test
Press test button twice within 2 seconds	3 minutes duration test
Press test button 3 times within 2 seconds	30 minutes duration test
Press test button 4 times within 2 seconds	3 hours duration test

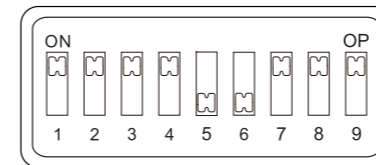
Note:

- 1) After repairing the fault, press and hold the test button for 2 seconds to reset the flashing indicator light to green.
- 2) This product should be installed by a registered electrician in accordance with local standards and electrical regulations.
- 3) Ensure the power supply is under isolated before installation.
- 4) Sealed LiFePO4 rechargeable battery pack, the battery should be replaced when the required duration is no longer achieved.
- 5) To avoid any damage to the fixture and ensure its performance, the battery should be replaced with same brand and type.

Datasheet (Sensor)

Operating Voltage	8-12V DC
Power consumption	0.5W±0.2W
Microwave frequency	5.8GHz±75MHz, ISM wave band
Transmission power	<0.5mW
Detection angle	140°
Detection Area	4-6M 100%/75%/50%/25%
Hold time	5S/30S/3min/10min
Daylight sensor	15Lux/50Lux/150Lux/Disable
Stand-by DIM Level	20% / 30%
Stand-by Period	0S/1min/10min /+ ∞
Dimming Range	-
Microwave ON/OFF function	-
Installation Height	Recommended Installation Height: Ceiling mounted height 3m
Minimum mounting dulance	recommended mounting distance should be more than 3m
Operating temperature(°C)	-20°C ~60°C

Sensor Setting:



Factory settings				
Detection Area	Hold Time	Daylight Sensor	Stand-by Period	Stand-by DIM Level
100%	5S	Disable	0S	20%

Detection Area			
	1	2	
I	ON	ON	100%
II	ON	-	75%
III	-	ON	50%
IV	-	-	25%

Detection area:

Sensor test condition: The test is based on 3m height, the detect distance radius is based on ground, the detect distance can be adjusted through the slide switch.

Sensor test environment and reference: The detective range is measured by human body whose stature is around 1.6-1.7M with medium size and traveling speed is around 1.0-1.5M per second. If the stature, bodily form and traveling speed are changed,then the detective range will be changed accordingly.

Sensor lamp's reaction under open/narrow environment: Test result will be highly influenced by test environment, the more open environment, the closer detect distance; the narrower environment, the longer detect distance. The detector may do self-excitation in a narrow environment.

Sensor Setting based on environmental disturbance: Some environmental disturbances will cause abnormal induction, such as the lamp can not automatically turn off for a long time or the sensor function is invalid, then users can adjust sensor distance to reach the ideal effect. It is recommended to adjust the sensing distance to 50% for the environment where near the heavy equipment, metal sheets and metal pipes, concretewall(<30cm thickness)etc. Recommend to keep 100% sensordistance in open environment. For environment where near the routers, telecommunications base stations, electrical machinery etc, it is recommended to keep the installation distance of more than 5 meters and adjust to 50% sensor distance.

Hold Time			
	3	4	
I	ON	ON	5S
II	ON	-	30S
III	-	ON	3min
IV	-	-	10min

Hold time:

Notice 1: The hold time can be selected by the slide switch.

The hold time counting should be started after the sensor is powered on and initialized.

Daylight Sensor				
	5	6	Open	Close
I	ON	ON	15Lux	150Lux
II	ON	-	50Lux	150Lux
III	-	ON	150Lux	300Lux
IV	-	-	Disable	Disable

Daylight sensor:

Notice 1: The light threshold can be selected through the slide switch, it may cause a large deviation in different lamps.

Notice 2: Daylight priority function: Set stand-by period to +∞, daylight sensor will be priority status. When the ambient light is lower than the daylight sensor setting lux, the lamp will turn on automatically if it detects a moving object. After the moving object leaves, the sensor will enter into stand-by Dim Level, if ambient light is more than ON/OFF lux, the lamp will keep OFF status.

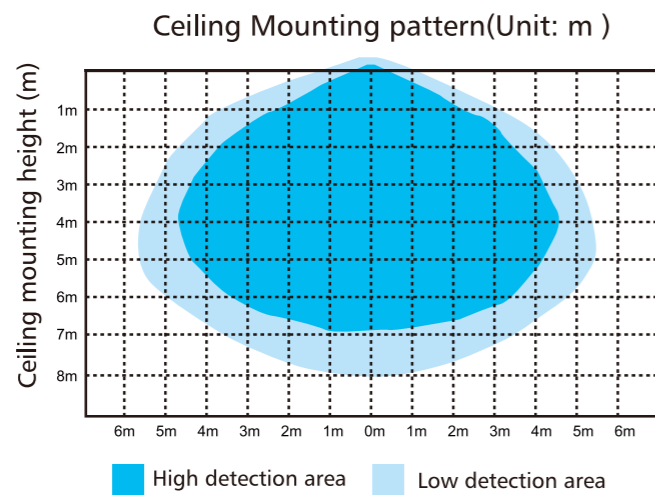
Stand-by Period			
	7	8	
I	ON	ON	0S
II	ON	-	1min
III	-	ON	10min
IV	-	-	+∞

Stand-by Period:

Notice: Be daylight priority when setting to "+∞"

Stand-by DIM Level		
	9	
I	ON	20%
II	-	30%

Detection Range Diagram

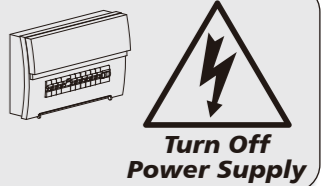


Function Table	DB186A-1200-40W DB186B-1200-40W	DB186A-1500-50W DB186B-1500-50W	DB186A-1800-60W DB186B-1800-60W
Non-dim Wattage Switchable	✓	✓	✓
Non-dim Wattage Switchable + CCT Switchable	✓	✓	✓
Non-dim Wattage Switchable + Emergency	✓	✓	✓
Non-dim Wattage Switchable + CCT Switchable + Emergency	✓	✓	✓
Sensor + CCT Switchable	✓	✓	✓
Non-dim Wattage Switchable + CCT Switchable + Sensor	✓	✓	✓
Non-dim Wattage Switchable + Emergency + Sensor	✓	✓	✓
Non-dim Wattage Switchable + CCT Switchable + Emergency + Sensor	✓	✓	✓

Installation Procedure

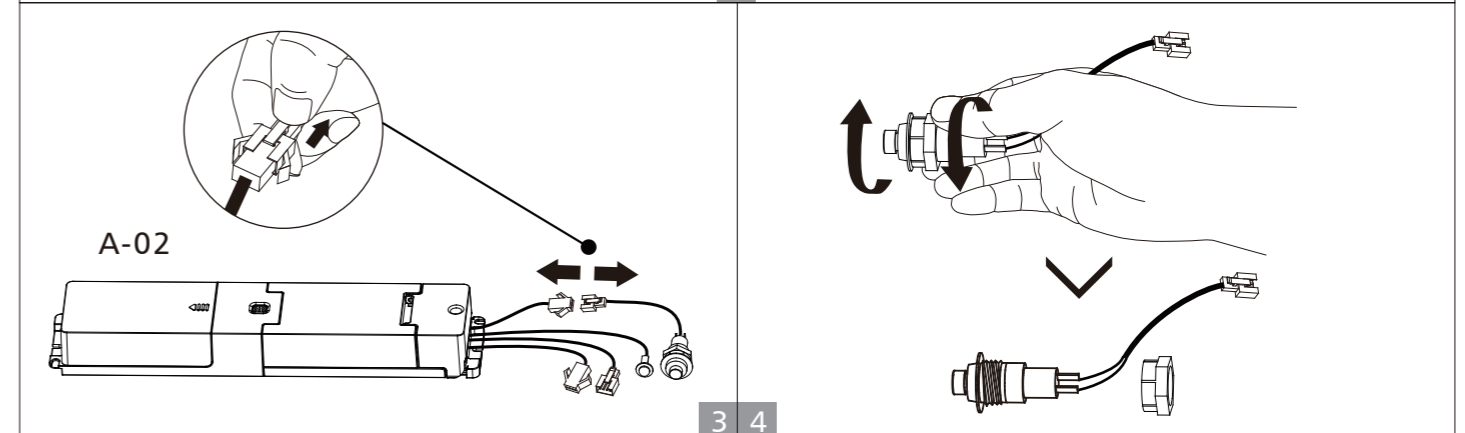
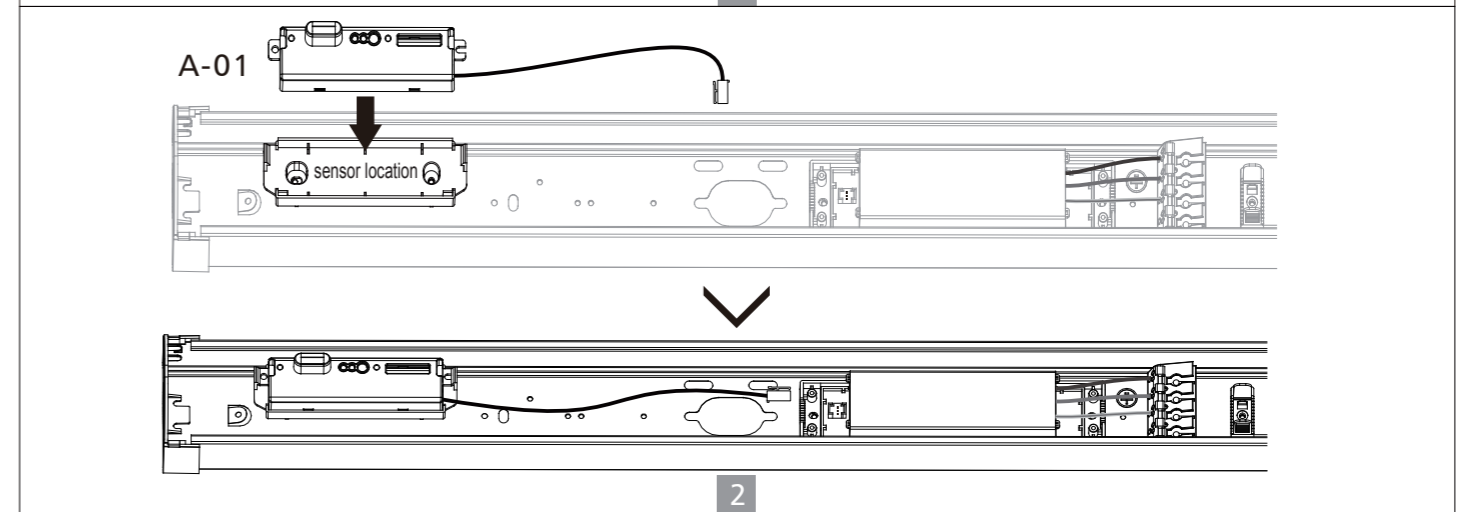
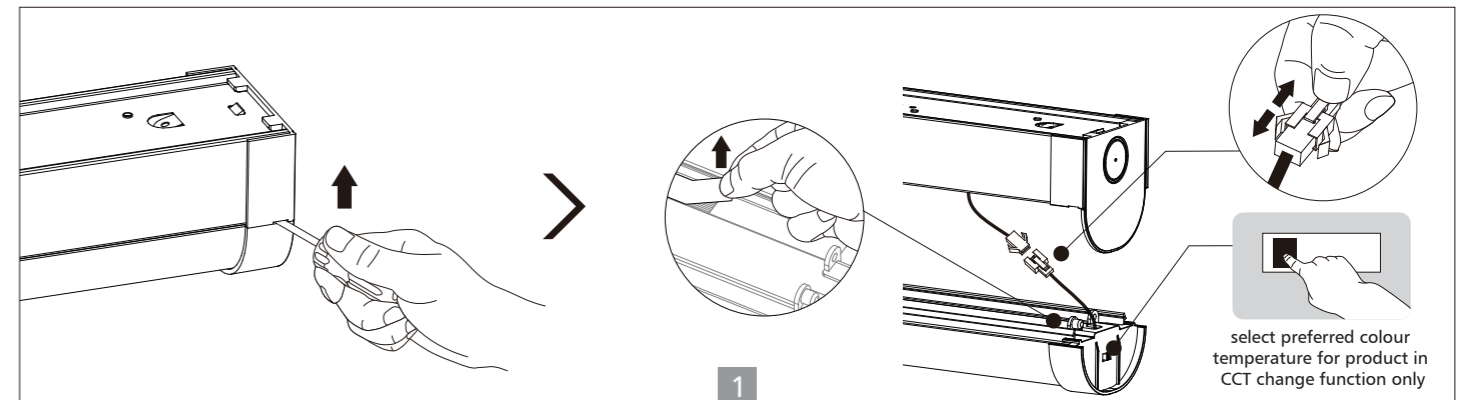
WARNING

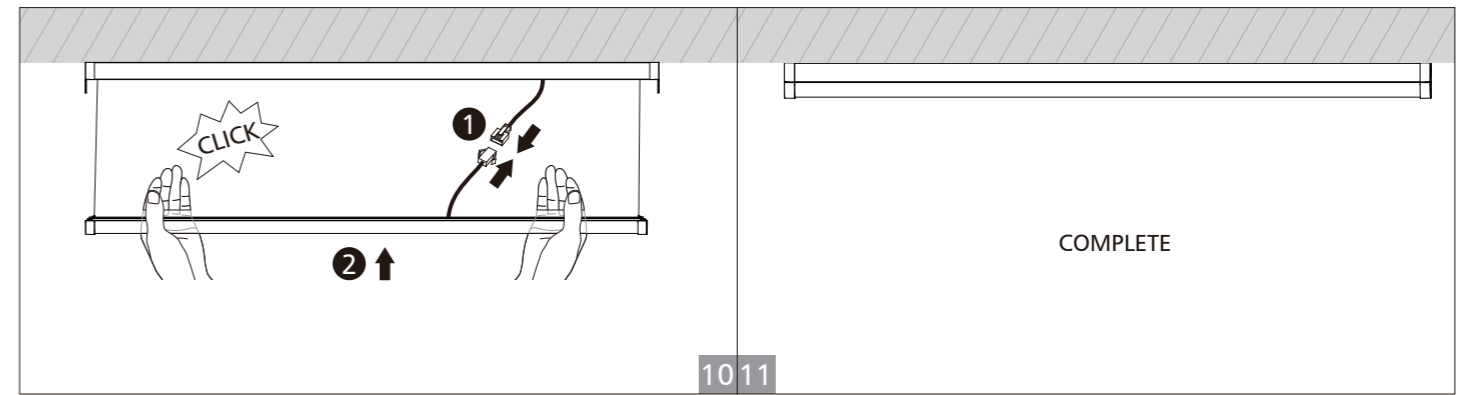
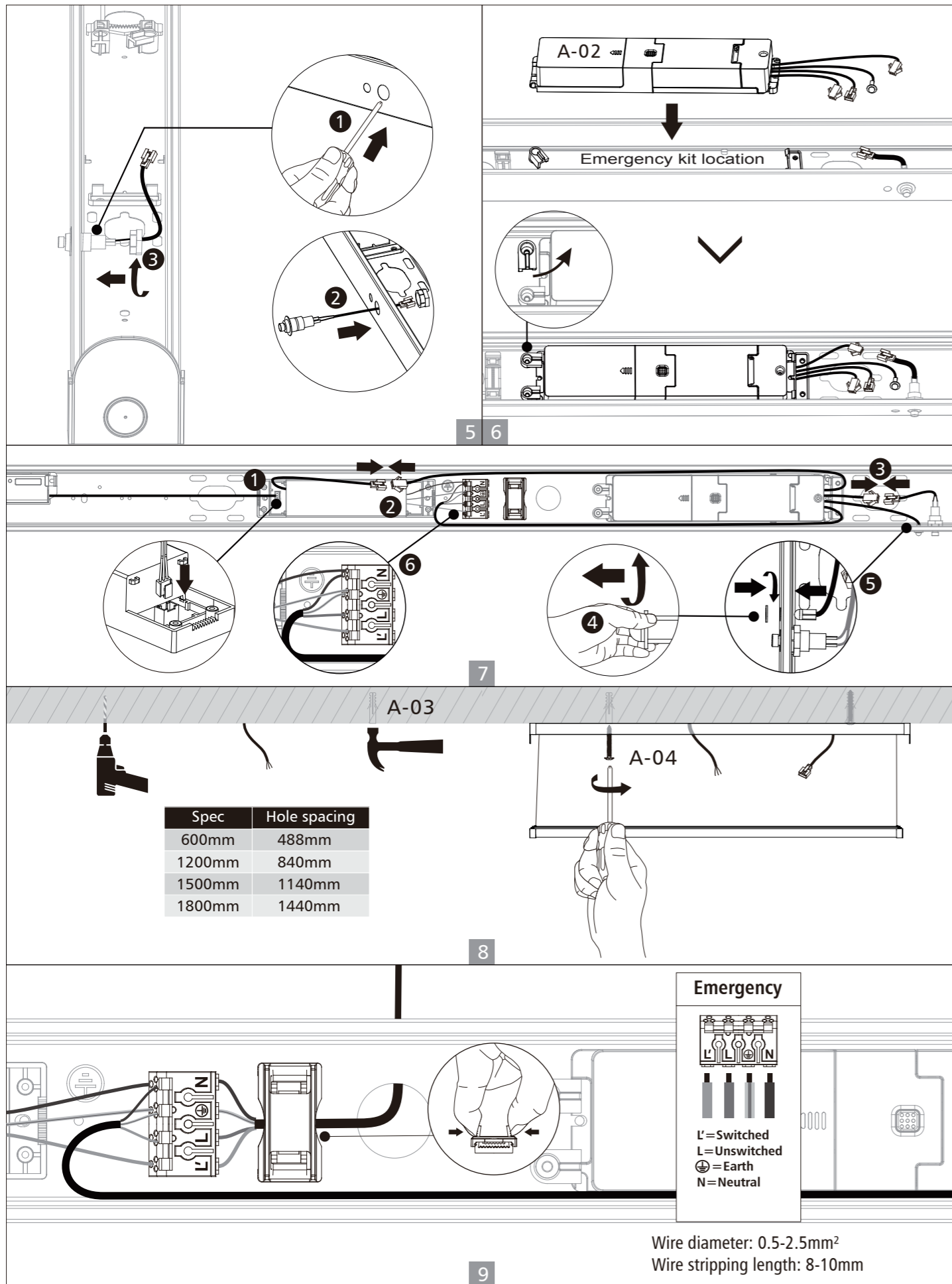
- 1.Switch off before installation.
- 2.Switch on only after complete installation and examination of the circuit.
- 3.Professional electrician for installation and maintenance only.



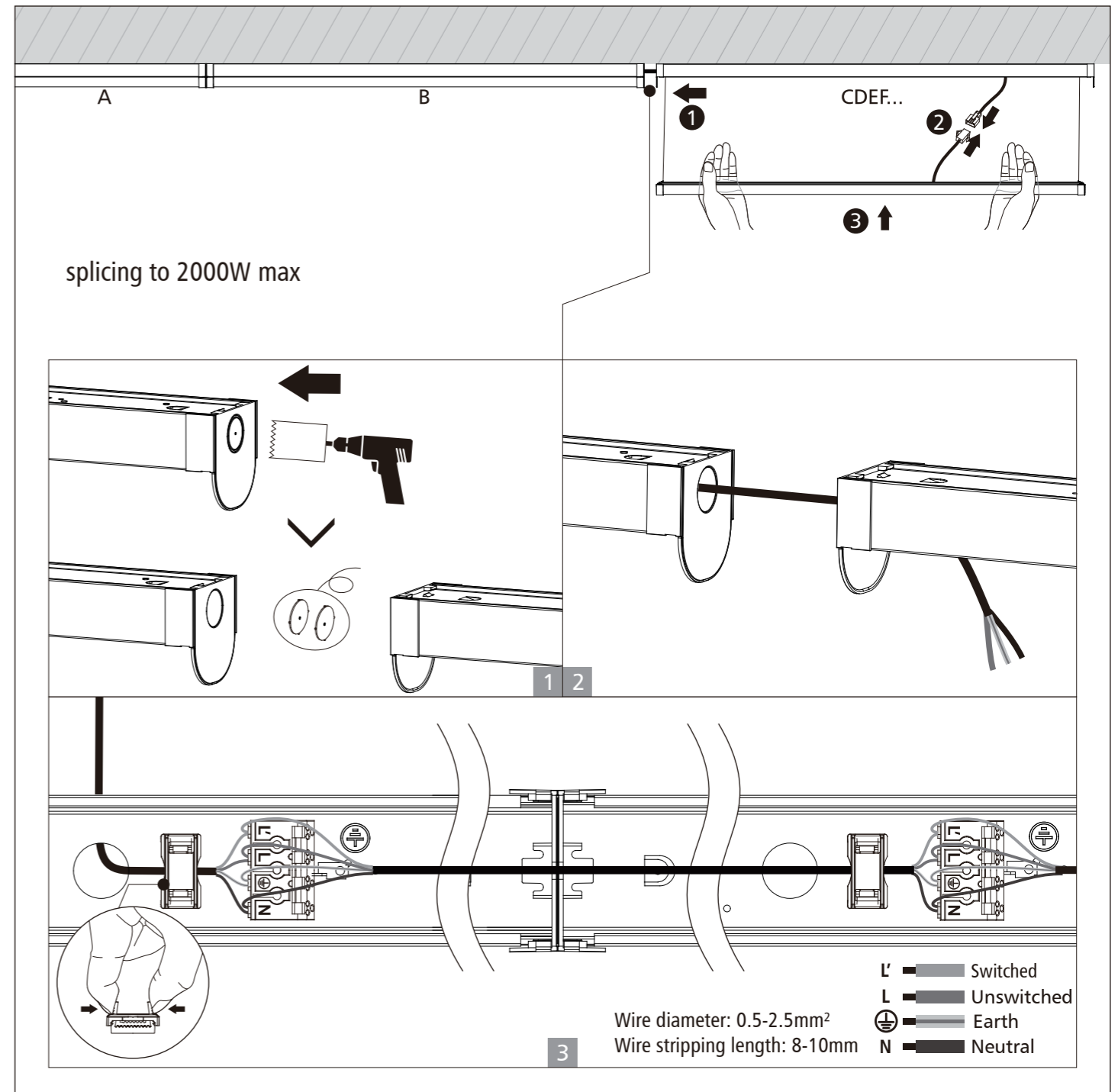
Surface mount installation

Code	A-01	A-02	A-03	A-04
ACC	X1	X1	X2	X2





Splicing for surface mount installation



Pendant installation

Code	A-01	A-02	A-03	A-04	A-05	A-06
ACC	X1	X1	x2	x2	x2	x2

