

# COMMERCIAL LIGHTING



QR - SHOP

**accutron<sub>ag</sub>**  
Batterien & LED Beleuchtung  
www.accutron.ch  
Tel. +41 43 266 20 50 sales@accutron



LED Ceiling Light  
**AL194 Series**



## Introduction

This is a rectangular large size ceiling lamp. It adopts high lumen SMD LED light source, milky diffuser and prismatic diffuser optional, large lighting area and low glare design make a softer and uniform light output. Aluminum housing provides an excellent thermal management. CCT adjustable and wattage adjustable are optional, surface mounting and pendant installation meet more application demands.

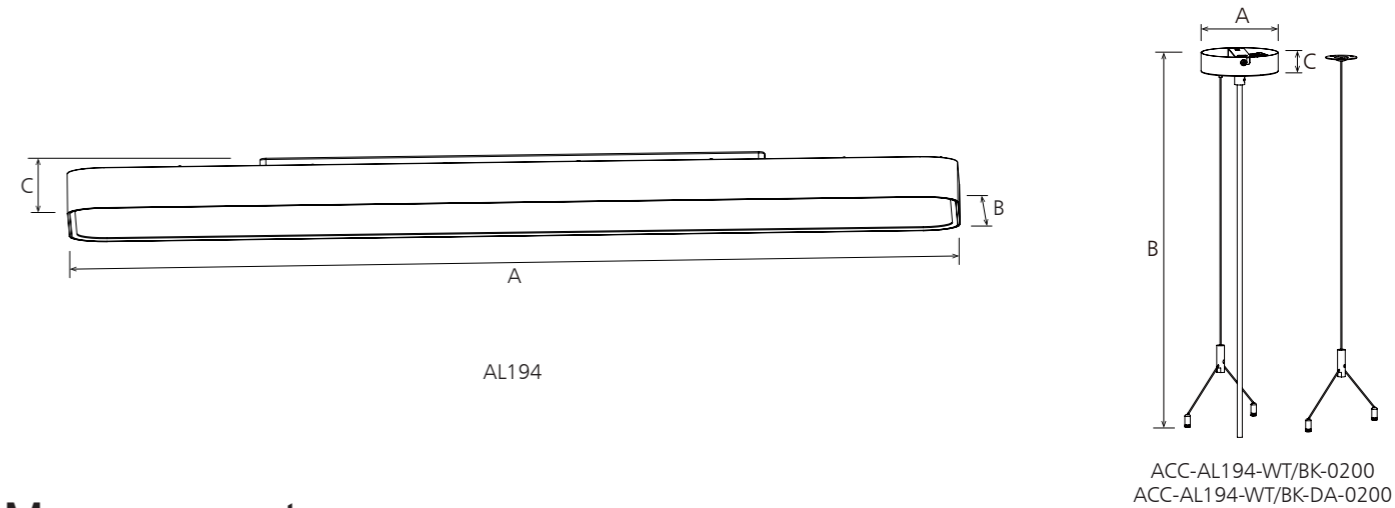
## Features

- Large lighting area, up & down lighting
- Anti-glare design, UGR<19 for prismatic version(36W&42W)
- Interchangeable CCT 3000K+4000K with DIP switch
- Installation way: surface mounted, pendant
- DALI dimming available
- Internal flicker free driver
- High light efficiency

## Application Areas

It is designed for general lighting applications in office, reception, display area, etc.





## Technical Data Sheet

Code		AL194-36W	AL194-42W	AL194-50W	
Dimension(mm)		1200*300*72			
Cutout(mm)		-			
Watt(W)		36W	42W	50W	
Rated Input Voltage		AC220-240V			
Input Voltage		AC198-264V			
LED Module Input		-			
Light Source		SMD			
SDCM		<6			
CCT(K)		1-CCT: 3000K/4000K    2-CCT: 3000K + 4000K			
CCT Selection DIP Switch		Yes			
Luminous Flux (lm) ±5% CRI80 (Prismatic diffuser)	1-CCT	Non-DIM	4200-4500	4700-5100	5350-5850
		DALI	4200-4500	4900-5200	5700-6200
	2-CCT	Non-DIM	4200-4500	4700-5100	5350-5850
		DALI	4200-4500	4900-5200	5700-6200
Luminous Flux (lm) ±5% CRI80 (Milky diffuser)	1-CCT	Non-DIM	4800-5200	5500-5950	6300-6900
		DALI	4800-5200	5650-6100	6800-7300
	2-CCT	Non-DIM	4800-5200	5500-5950	6300-6900
		DALI	4800-5200	5650-6100	6800-7300
CRI		≥80			
Beam Angle (°)		80°(Prismatic diffuser) & 110°(Milky diffuser)			
UGR		UGR<19 (Prismatic diffuser: 36W & 42W) UGR<22 (Prismatic diffuser: 50W) UGR<22 (Milky diffuser)			
LED Driver		Driver built-in			
Dimming Option		DALI			
Sensor		-			
Emergency Kits		NO			
Electrical Class		Class I			
Ingress Protection(IP Rating)		IP20			
Impact Resistance(IK Rating)		-			
Product Finishing		White RAL9016 & Black RAL9005			
Optics Material		PS			
Housing Material		Aluminium			
Lifetime (hr)		50,000H			
Glow wire test (°C)		650°C			
Operating Temp.(°C)		-20°C~45°C			
Storage Temp.(°C)		-20°C~60°C			
Installation		Surface mount & Pendant			

## Measurement

Code	Dimension(mm)			Size(mm)	Product Weight (Kg)		Package weight (Kg)		Carton Size(cm)	Qty/CTN	20GP (pcs)	40HQ (pcs)
	A	B	C		N.W/PC	G.W/PC	N.W/CTN	G.W/CTN				
AL194-36W/42W/50W	1200	300	72	1200*300*72	7	-	-	9	132*17.5*42.5	1	255	618
ACC-AL194-WT/BK-0200	Ø100	1500	25	Ø100x1500	0.34	0.45	8.2	11	39*26.5*30.5	24	20664	47040
ACC-AL194-WT/BK-DA-0200	Ø100	1500	25	Ø100x1500	0.34	0.45	8.2	11	39*26.5*30.5	24	20664	47040

## Driver Datasheet(Non-dimmable )

Total load wattage		36W	42W	50W
Output	Rated output current	900mA	1050mA	1200mA
	Output Voltage range	DC28-42V		
	Line Regulation	±5%		
	Setup Rise Time	<0.5s @230V		
	Flickering Index	0.25% (NO RISK)		
	Input	Rated Input Voltage	AC220-240V	
Input Voltage		AC198-264V		
Frequency		50/60Hz		
Rated Input Current		≤0.21A	≤0.23A	≤0.28A
Input Current		≤0.23A	≤0.24A	≤0.29A
Power Factor		0.9		
THD		<20% @230V		
Efficiency		≥86%		
No load wattage		<0.5W @230V		
Protection		Short circuit protection	PASS	
	Over voltage protection	PASS		
	Over temperature protection	PASS		
Safety & EMC	Withstand voltage	I/P-FG:1.5KVac, <5mA 60S		
	Isolation Resistance	500VDC, ≥2M Ω		
	Surge	IEC/EN61000-4-5 (P≥25w L-N:1KV, L/N-PE:2KV)		
	EMC Emission	EN55015, EN61000-3-2		
EMC Immunity	EN61000-4-2,3,4,5,6,8,11; EN61547			

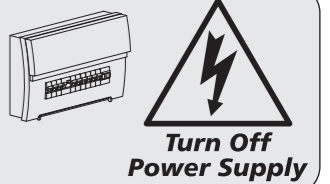
# Driver Datasheet(DALI Dimmable)

Total load wattage		36W	42W	50W
Output	Rated output current	900mA	1050mA	1250mA
	Output Voltage range	DC28-40V		
	Line Regulation	±5%		
	Setup Rise Time	<15 @230V		
	Flickering Index	1%(NO RISK)		
Input	Rated Input Voltage	AC220-240V		
	Input Voltage	AC198-264V		
	Frequency	50/60Hz		
	Rated Input Current	≤0.18A	≤0.22A	≤0.25A
	Input Current	≤0.20A	≤0.24A	≤0.28A
	Power Factor	0.9		
	THD	<20% @230V		
	Efficiency	≥85%		
	No load wattage	<0.5W @230V		
	Protection	Short circuit protection	PASS	
Over voltage protection		PASS		
Over temperature protection		PASS		
Safety & EMC	Withstand voltage	I/P-FG:1.5KVac,<5mA 60S		
	Isolation Resistance	500VDC, ≥2M Ω		
	Surge	IEC/EN61000-4-5 (L-N:1KV, L/N-PE:2KV)		
	EMC Emission	EN55015, EN61000-3-2		
	EMC Immunity	EN61000-4-2,3,4,5,6,8,11; EN61547		

## Installation Procedure

### WARNING

1. Switch off before installation.
2. Switch on only after complete installation and examination of the circuit.
3. Professional electrician for installation and maintenance only.

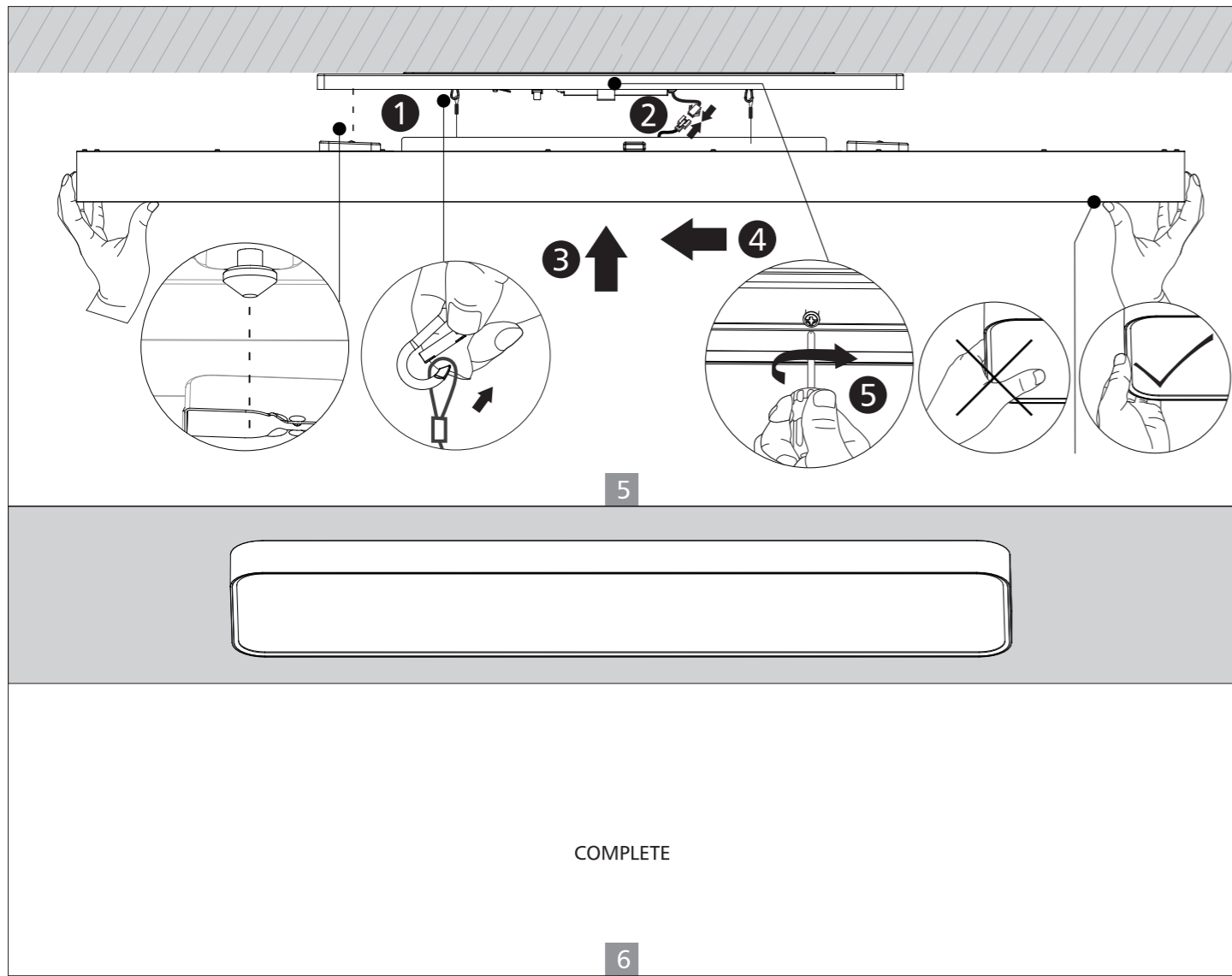


## Surface mount installation

Select preferred colour temperature for product in CCT change function only

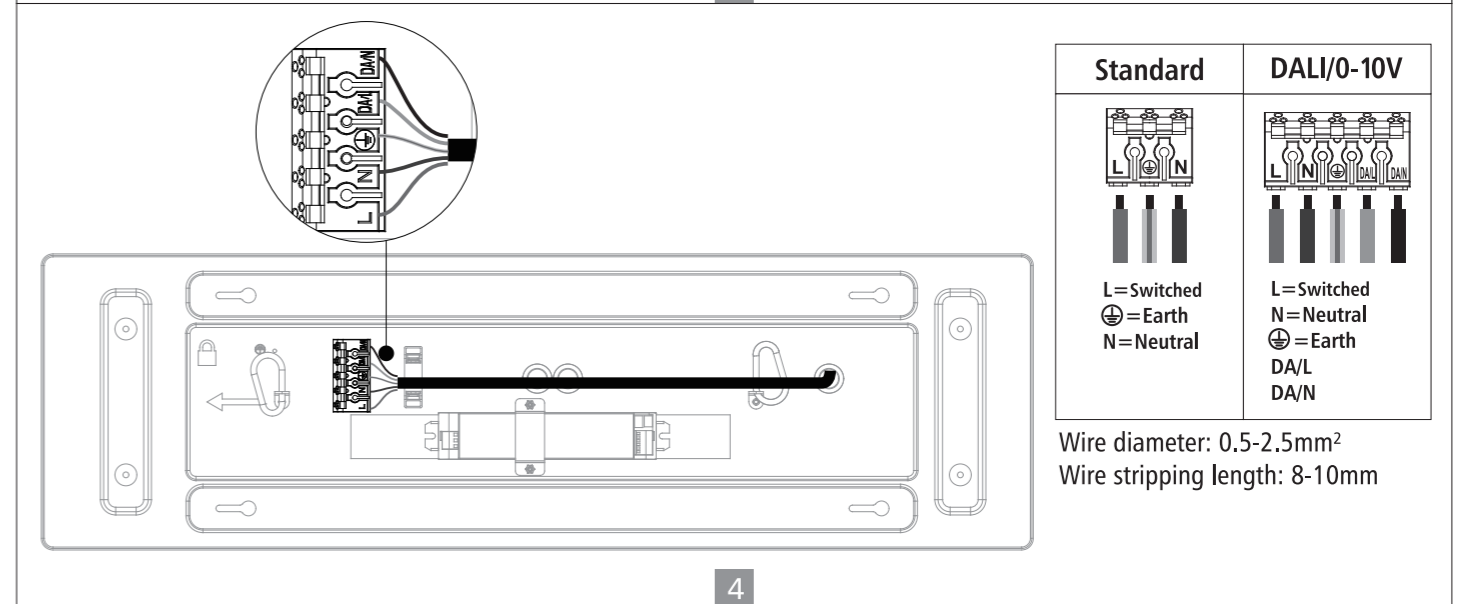
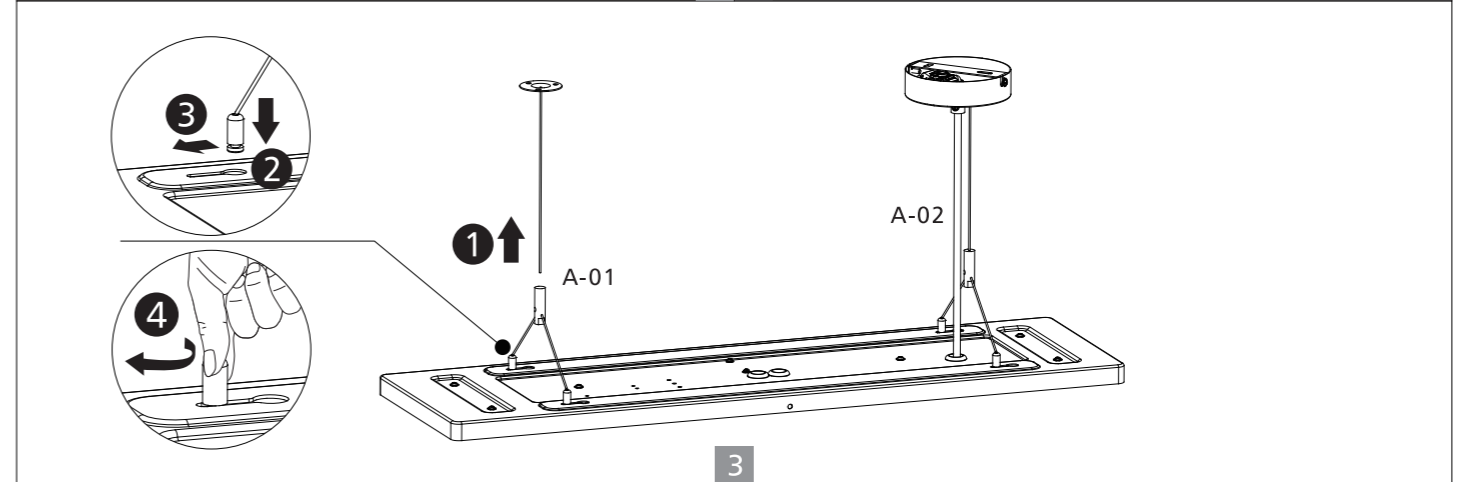
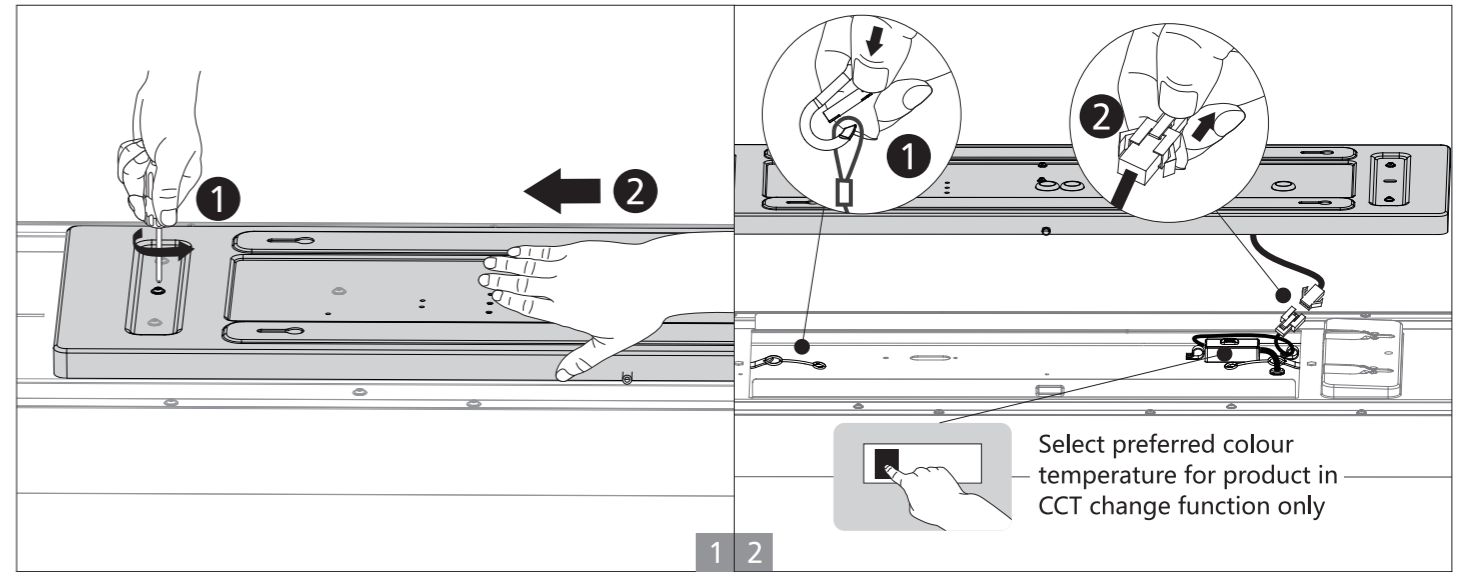
Standard	DALI/0-10V
L= Switched ⊕= Earth N= Neutral	L= Switched N= Neutral ⊕= Earth DA/L DA/N

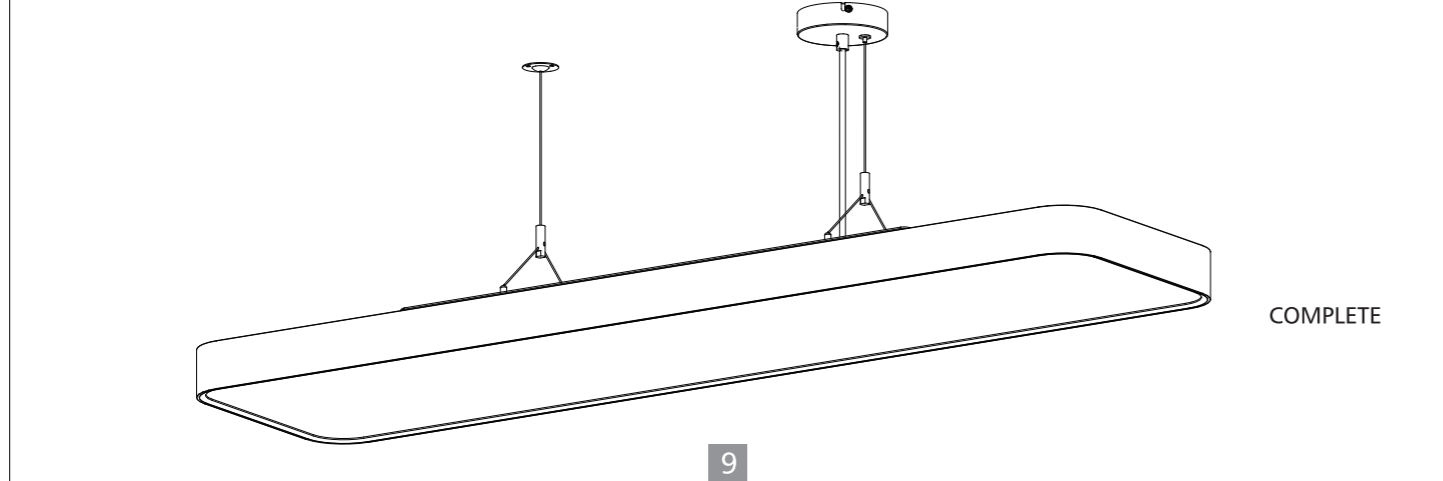
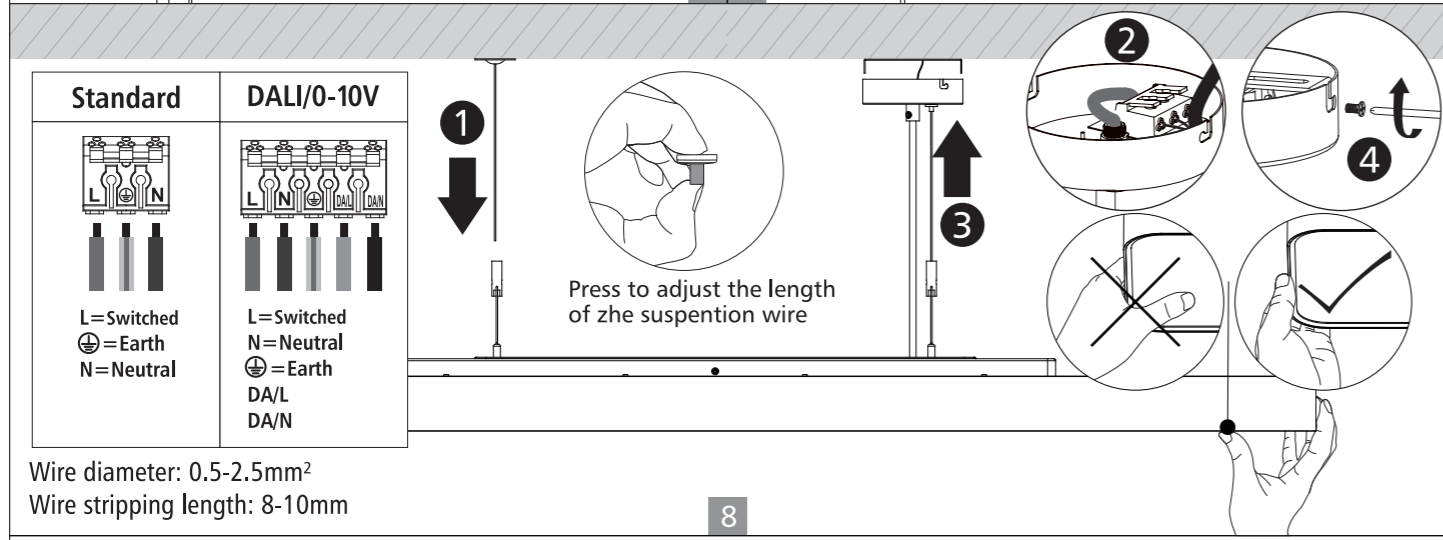
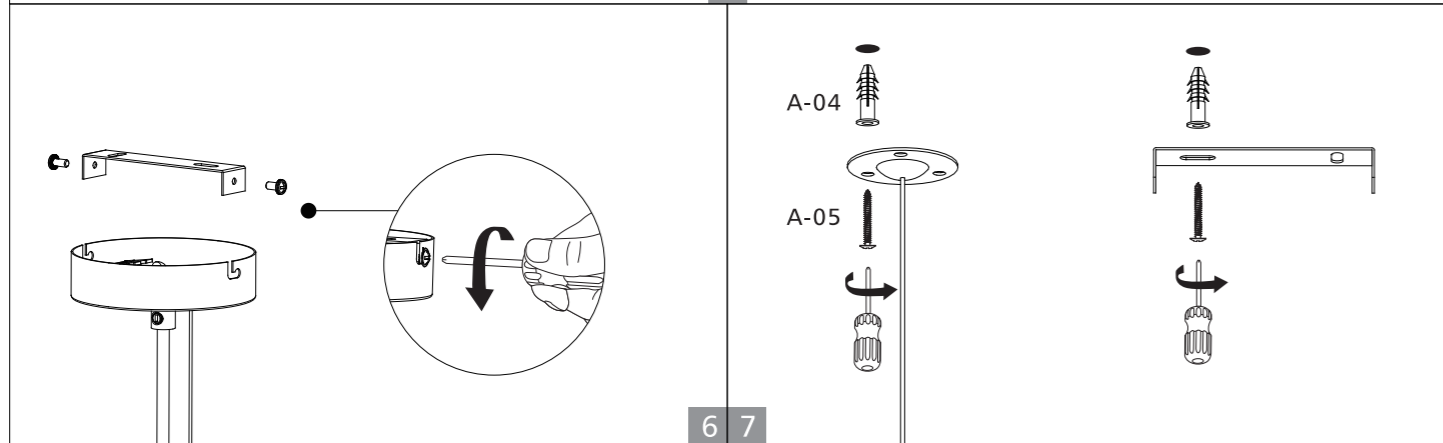
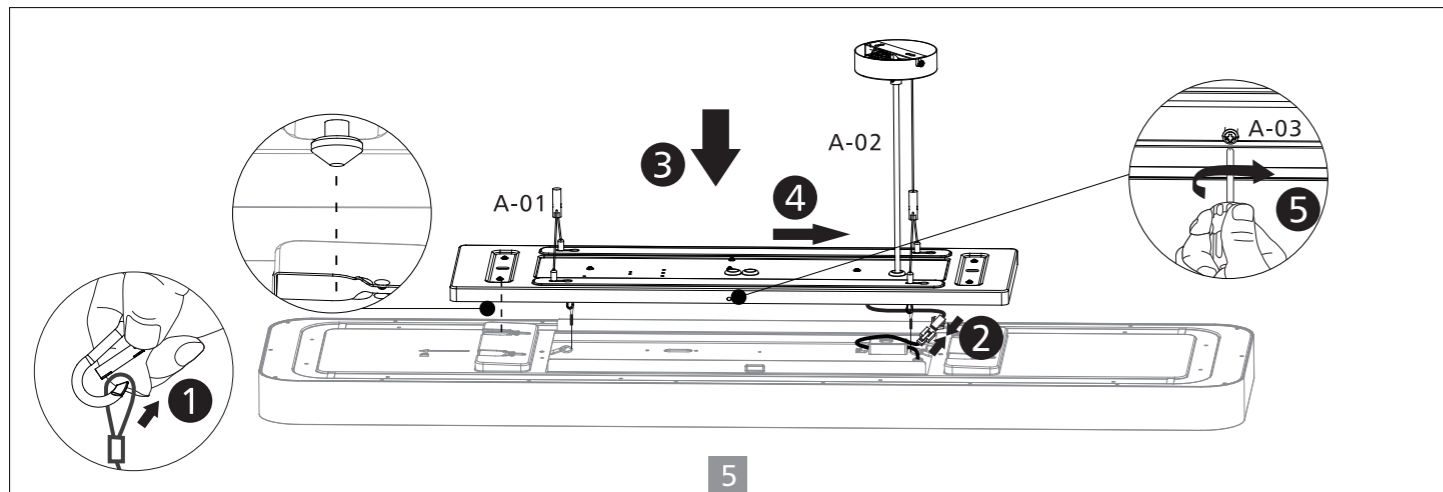
Wire diameter: 0.5-2.5mm<sup>2</sup>  
Wire stripping length: 8-10mm



### ■ Pendant installation (With round ceiling plate)

Code	A-01	A-02	A-03	A-04	A-05
Qty	x1	x1	x1	x5	x5





5

6 7

8

9