

Entry /ECO

Standard /STD

Professional/PRO

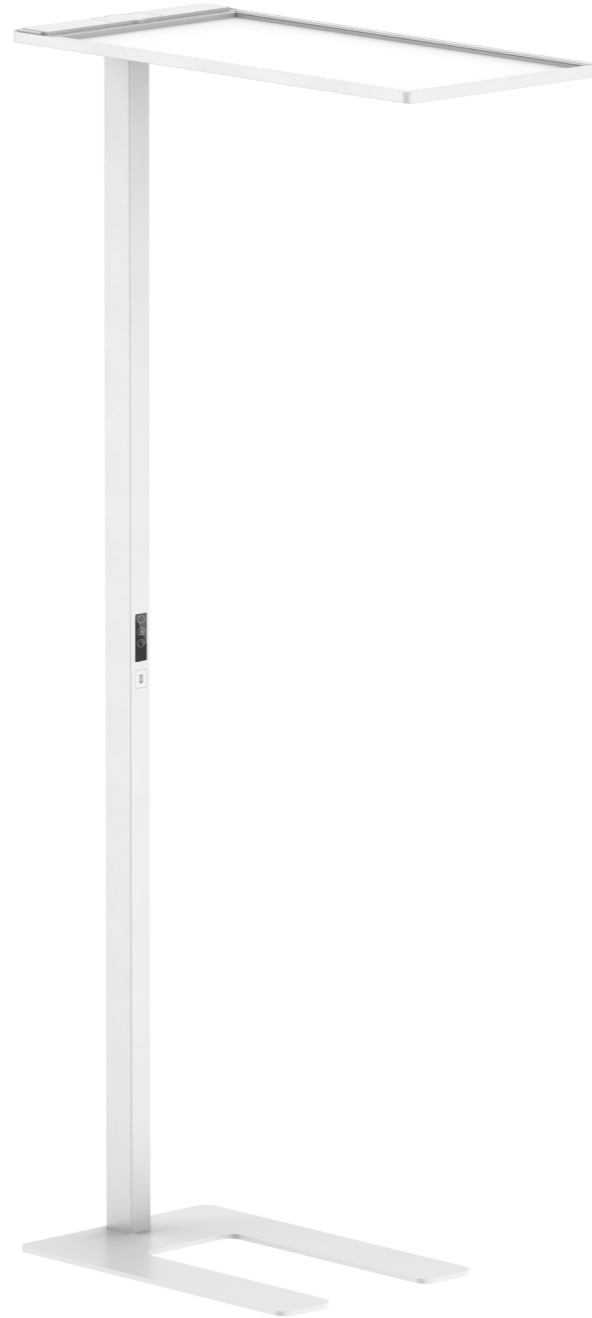
ODM & OEM

Intelligent/INT



PRO
Specifications

LED freestanding luminaire
OL02 Series



 **UPSHINE**[®]



Introduction

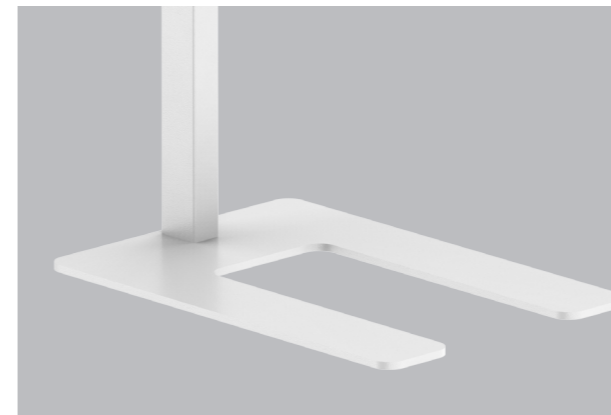
This OL02 freestanding lamp is composed of three parts: flat lamp body, lamp pole and lamp base. With a precise optical design (UGR<14, up 75% & down 25% lighting), it can ensure a more uniform and more comfortable lighting effect. Lamp Pole with: Plug, touchable 0-10V dimmer, light sensor, PIR sensor module and USB connector. The configuration of the luminaire is triggered by pressing a button and then it's fully auto matic, the lighting control modules are interchangeable, which is very suitable for modern office environments.

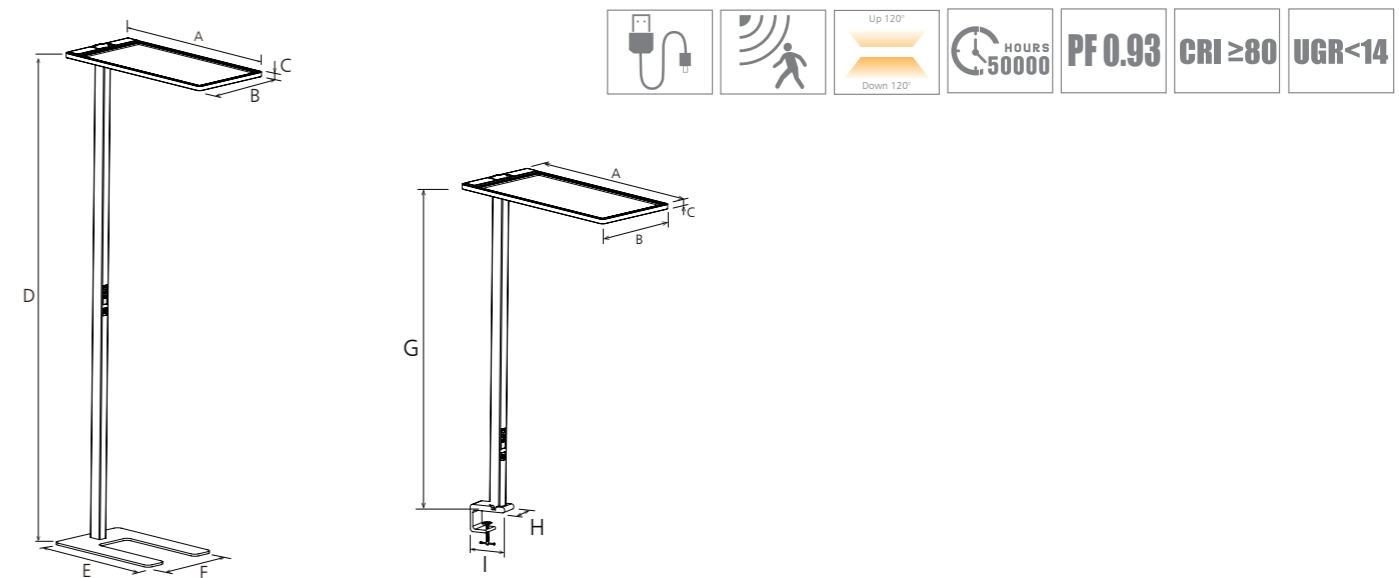
Features

- Easy for assembly and maintenance.
- Precise optical design: UGR<14, up 75% & down 25% lighting.
- Lighting sensor and PIR sensor mode interchangeable.
- Plug and play, convenient for different position.
- Touchable 0-10V dimming way.
- USB charging function type and Non-USB type are optional

Application Areas

It is specially designed for general lighting applications in office, meeting room, hotel etc.





Technical Data Sheet

Code No.	OL02-75W -DOS	OL02B-75W-DOS	OL02C-75W-DOS	OL02D-75W -DOS
Dimension(mm)	1925*720*340		1288*720*340	
Cutout (mm)	-			
Watt(W)	75W			
Rated Input Voltage(V)	AC230V			
Input Voltage(V)	AC220-240V			
LED Module Input	-			
Light Source	SMD2835			
SDCM	<6			
CCT(K)	1-CCT: 3000K/4000K/5000K/5700K			
CCT Selection DIP Switch	NO			
Luminous Flux (lm) ±5%	Non-DIM	1-CCT	-	
	DIM		7200-8200	
	Non-DIM	3-CCT	-	
	DIM		-	
CRI	≥80			
Beam Angle (°)	120°			
UGR	UGR<14			
LED Driver	Driver built-in			
Dimming Option	0-10V			
Sensor	PIR sensor / Light sensor			
Emergency Kits	-			
Electrical Class	Class I			
Ingress Protection (IP Rating)	IP20			
Impact Resistance (IK Rating)	-			
Product Finishing(Base)	White RAL9016			
Materials of Optics	PMMA			
Materials of Housing	Aluminum			
Lifetime (hr)	50,000h			
Glow wire test (°C)	-			
Operating Temp. (°C)	-10°C ~30°C			
Storage Temp. (°C)	-20°C ~60°C			
Installation	Pedestal mounted / Desktop mounted			

Measurement

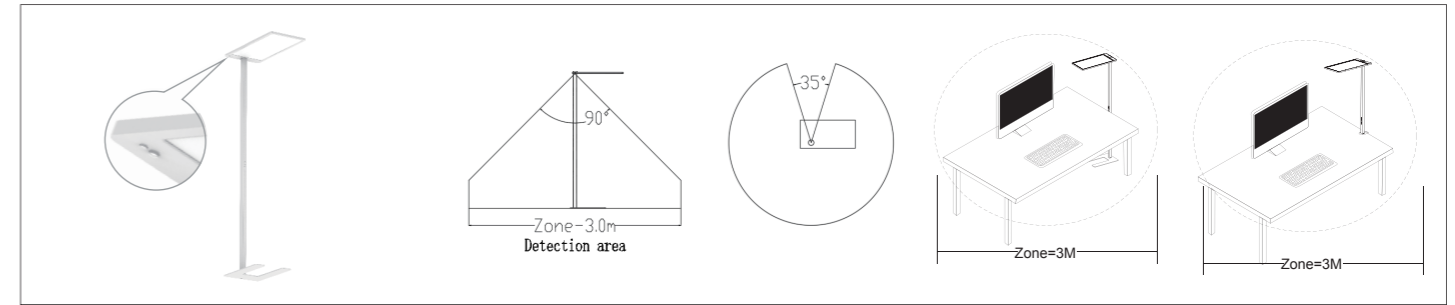
Code	Dimension(mm)			Size(mm)	Product Weight (Kg)		Package weight (Kg)		Carton Size(cm)	Qty/CTN	20GP (sets)	40HQ (sets)
	A	B	C		N.W/PC	G.W/PC	N.W/CTN	G.W/CTN				
OL02/OL02B Lamp body	720	340	21.5	720*340*21.5	2.7	3.2	19.2	20.4	78*36.5*40.5	6	660	1800
OL02/OL02B Lamp pole	D 1900			1900*50*35	3.1	3.4	20.4	21.4	221.5*16.5*15.5	6		
OL02/OL02B Lamp base	E 500		F 340	500*340*8	6.7	7.1	21.3	22	57.5*16.5*42	3		
OL02C/OL02D Lamp body	720	340	21.5	720*340*21.5	2.7	3.2	19.2	20.4	78*36.5*40.5	6	504	1260
OL02C/OL02D Lamp pole	G 1188			1188*50*35	3	3.6	18	24.5	136*38.5*36.5	6		
OL02C/OL02D Lamp base	H 70		I 140	140*100*70								

Driver Datasheet (0-10V)

Total load wattage		75W
Output	Output Voltage range	DC25-40V
	Rated output current	1900mA±5%
	Line Regulation	±5%
	Setup, Rise Time	≤0.5S@230V
	Flickering Index	NO RISK
	Input	Input Voltage
Rated Input Voltage(V)		AC220-240V
Frequency		47Hz-63Hz
Input Current		0.55A
Rated Input Current		0.38A
Power Factor		0.93
THD		<20% @230V
Efficiency		≥88%
No load wattage		<0.5W
Protection		Short circuit protection
	Over voltage protection	Pass
	Over temperature protection	Pass
Safety & EMC	Withstand voltage	I/P-O/P:3.75KVAC5mA 60S; I/P-FG1.6kV 5mA 60S
	Isolation Resistance	I/P-FG O/P-FG: 500VDC, > 100M Ω
	Surge	IEC/EN61000-4-5 (P≥25w L-N:1KV, L/N-PG:2KV)
	EMC Emission	EN55015,EN61000-3-2,EN61000-3-3; GB/T17743,GB17625.1,GB17625.2
EMC Immunity	EN61000-4-2,3,4,5,6,11; GB/T17626.2,3,4,5,6,11	

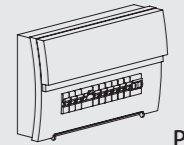
Driver Datasheet (Sensor)

Sensor datasheet	
Operating Voltage	3.3VDC
Power consumption	0.5W±0.2W
Microwave frequency	-
Transmission power	-
Detection angle	90°
Detection Area	1.5M
Hold time	15min
Daylight sensor	750lux
Stand-by DIM Level	-
Stand-by Period	-
Dimming Range	10%-100%
PIR Sensor	Yes
Installation Height	-
Operating temperature(°C)	-20°C ~60°C



WARNING

1. Switch off before installation / maintenance.
2. Switch on only after complete installation and examination of the circuit.
3. Professional electrician for installation and maintenance only.

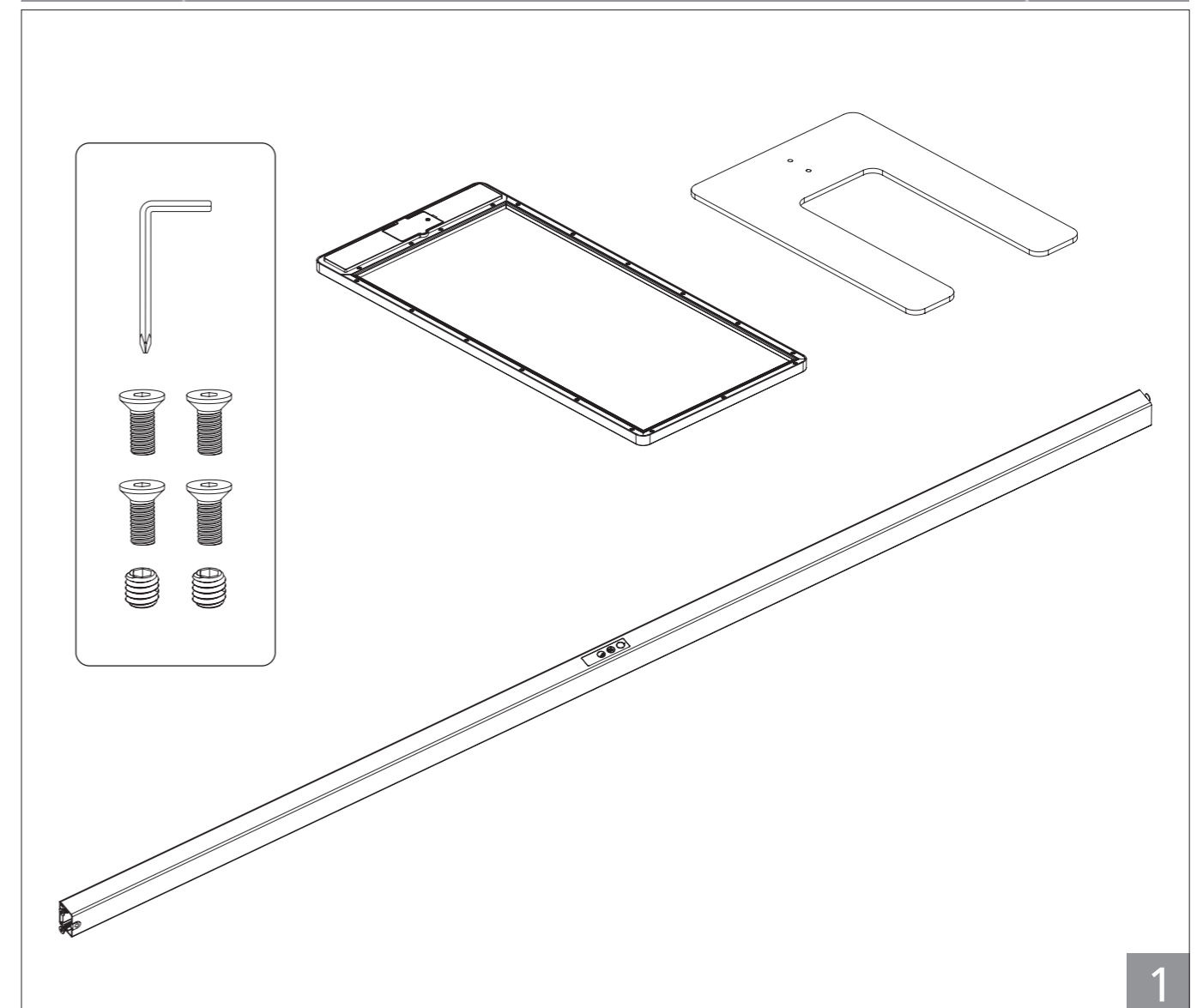


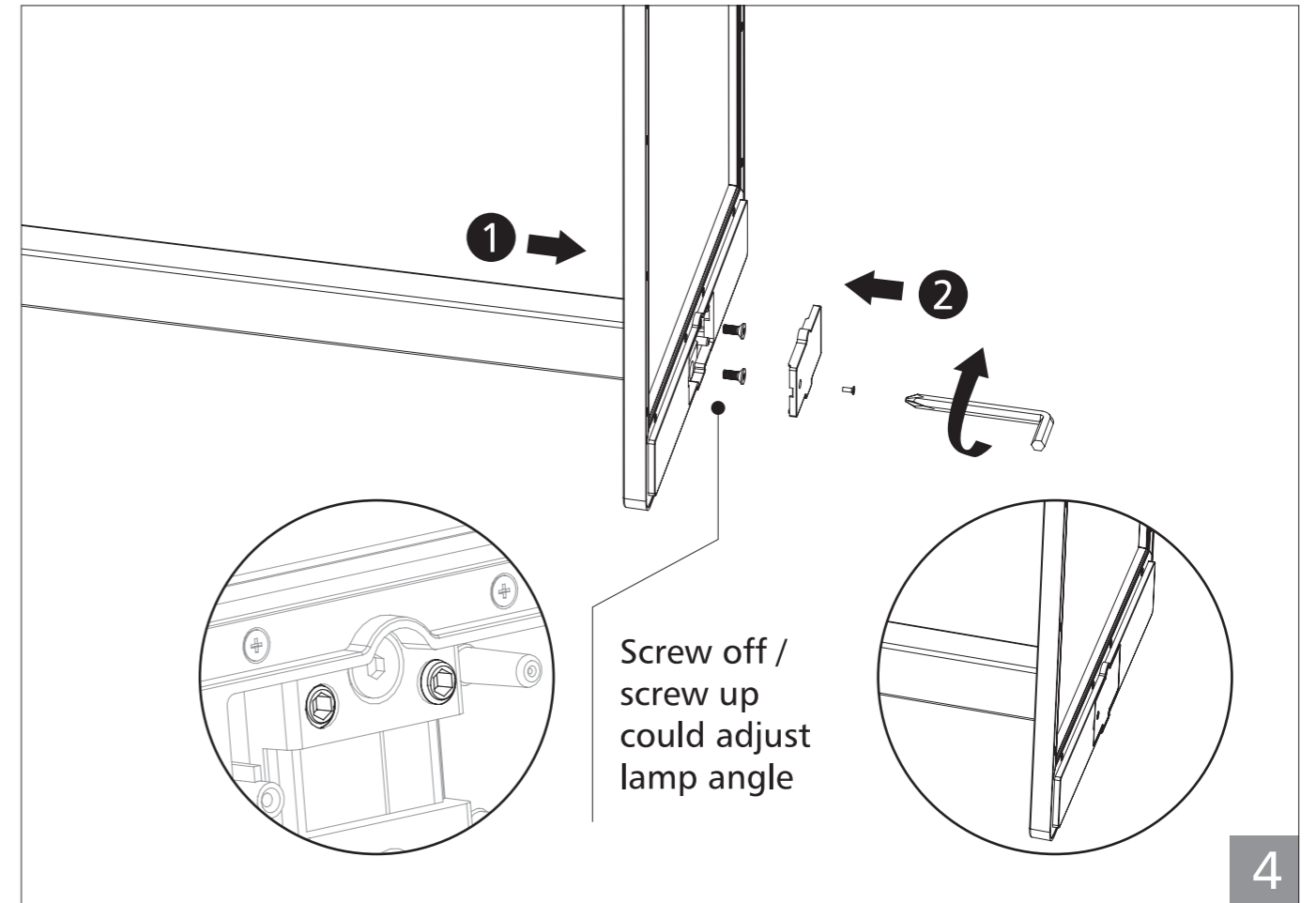
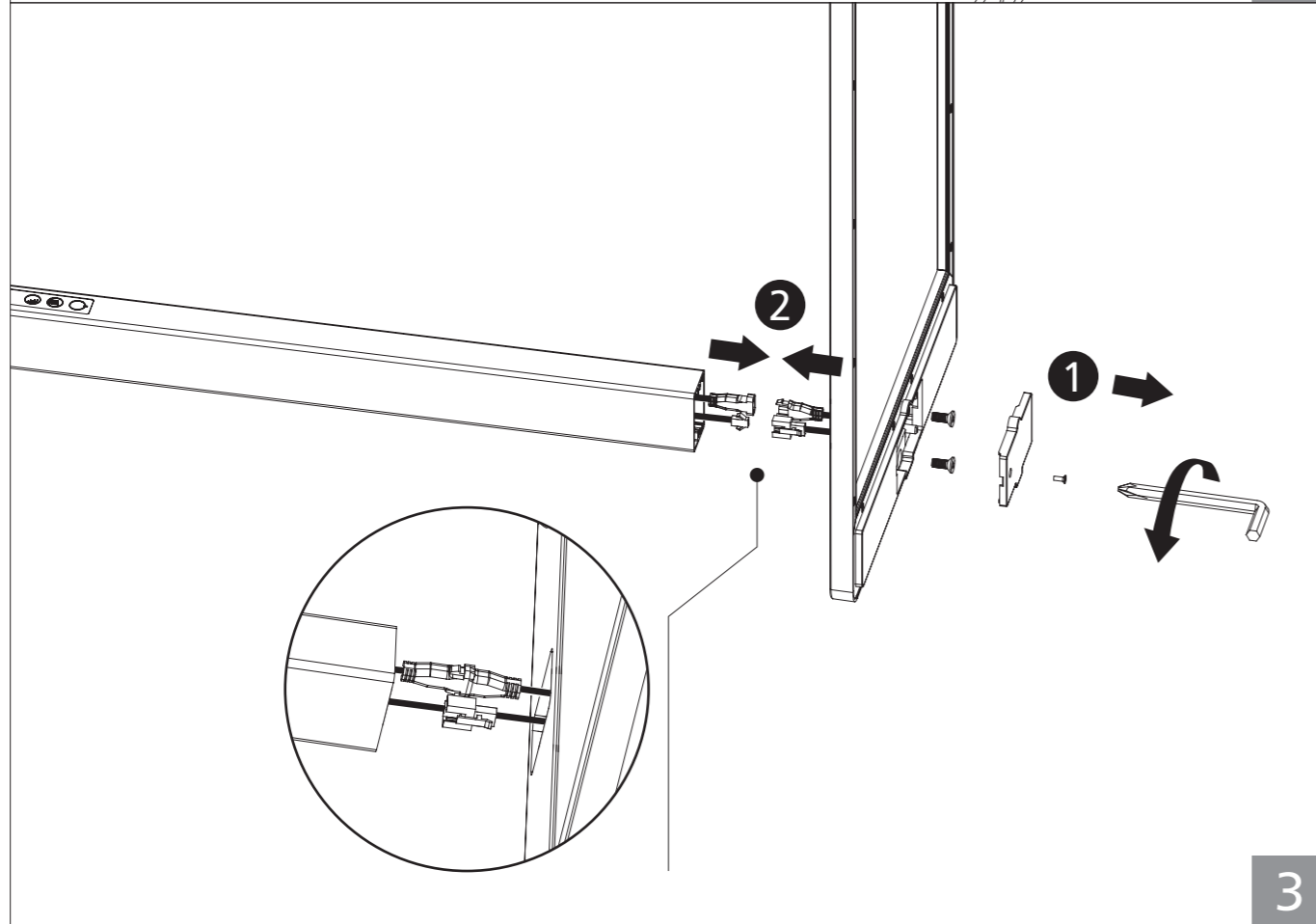
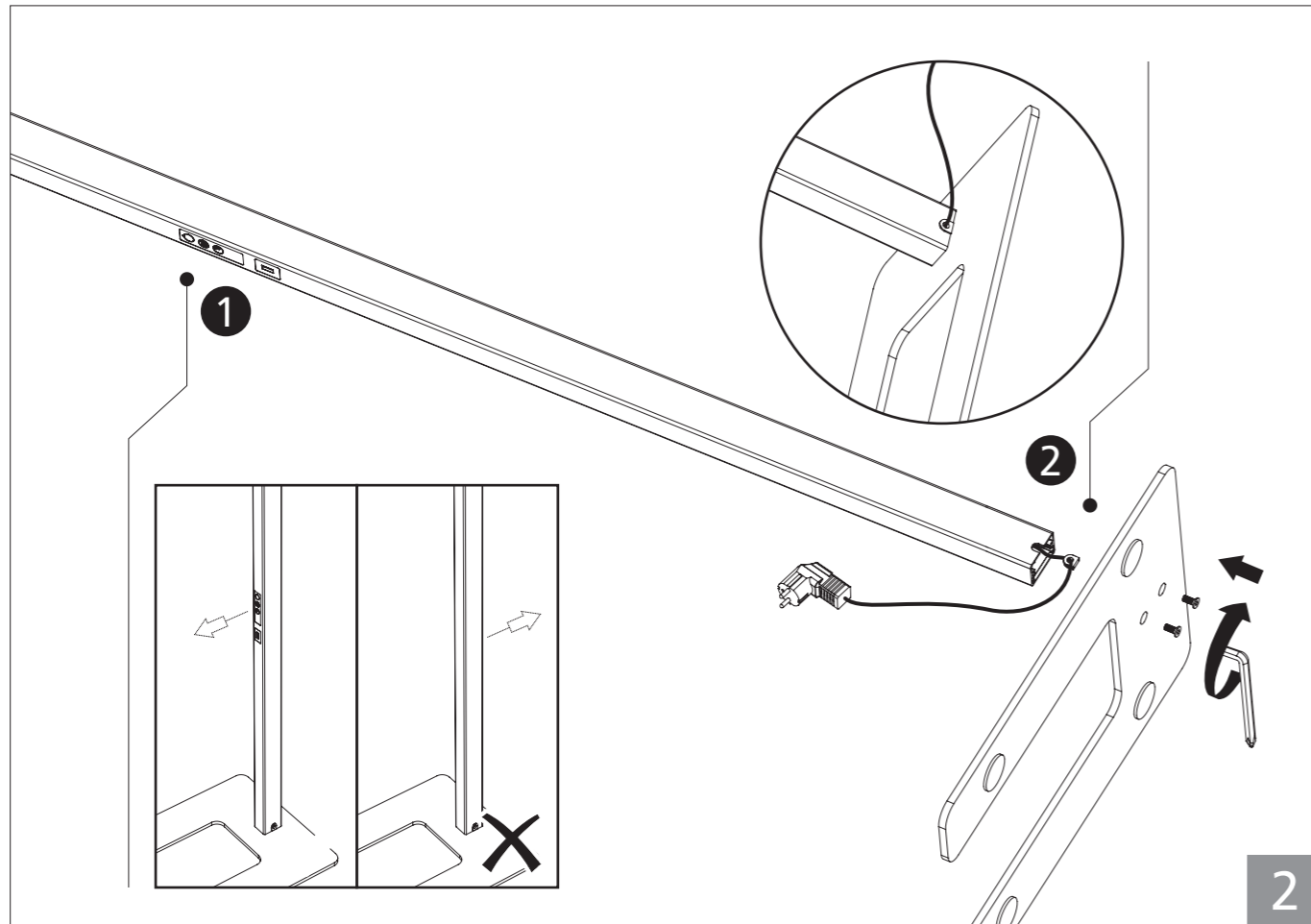
Turn Off
Power Supply

Driver Datasheet (OL02SI-10W2000-NF1-USB) only for USB version

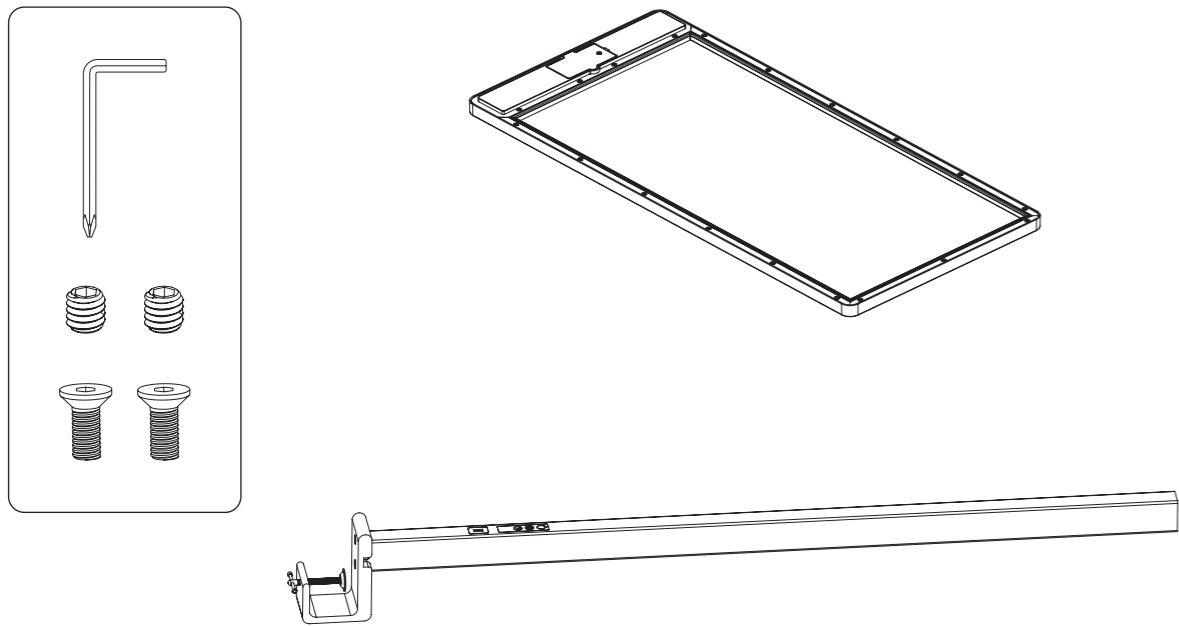
Total load wattage		14W	
Output	Output Voltage range	15V±1.5V	5V±5%
	Rated output current	0-50mA	0-2000mA
	Line Regulation	±5%	
	Setup, Rise Time	≤0.5S@230V	
	Flickering Index	NO RISK	
Input	Input Voltage	AC100-240V	
	Rated Input Voltage(V)	AC85-264V	
	Frequency	50Hz/60Hz	
	Input Current	0.25A	
	Rated Input Current	0.23A	
	Power Factor	-	
	THD	-	
	Efficiency	76%	
	No load wattage	<0.5W	
Protection	Short circuit protection	Pass	
	Over voltage protection	Pass	
	Over temperature protection	Pass	
Safety &EMC	Withstand voltage	I/P-O/P:3.75kVac, <5mA 60S	
	Isolation Resistance	I/P-O/P: 500VDC, ≥4M Ω	
	Surge	IEC/EN61000-4-5(P<25W; L-N:500V)	
	EMC Emission	EN55015, EN61000-3-2	
	EMC Immunity	EN61000-4-2,3,4,5,6,8,11; EN61547	

■ Pedestal installation

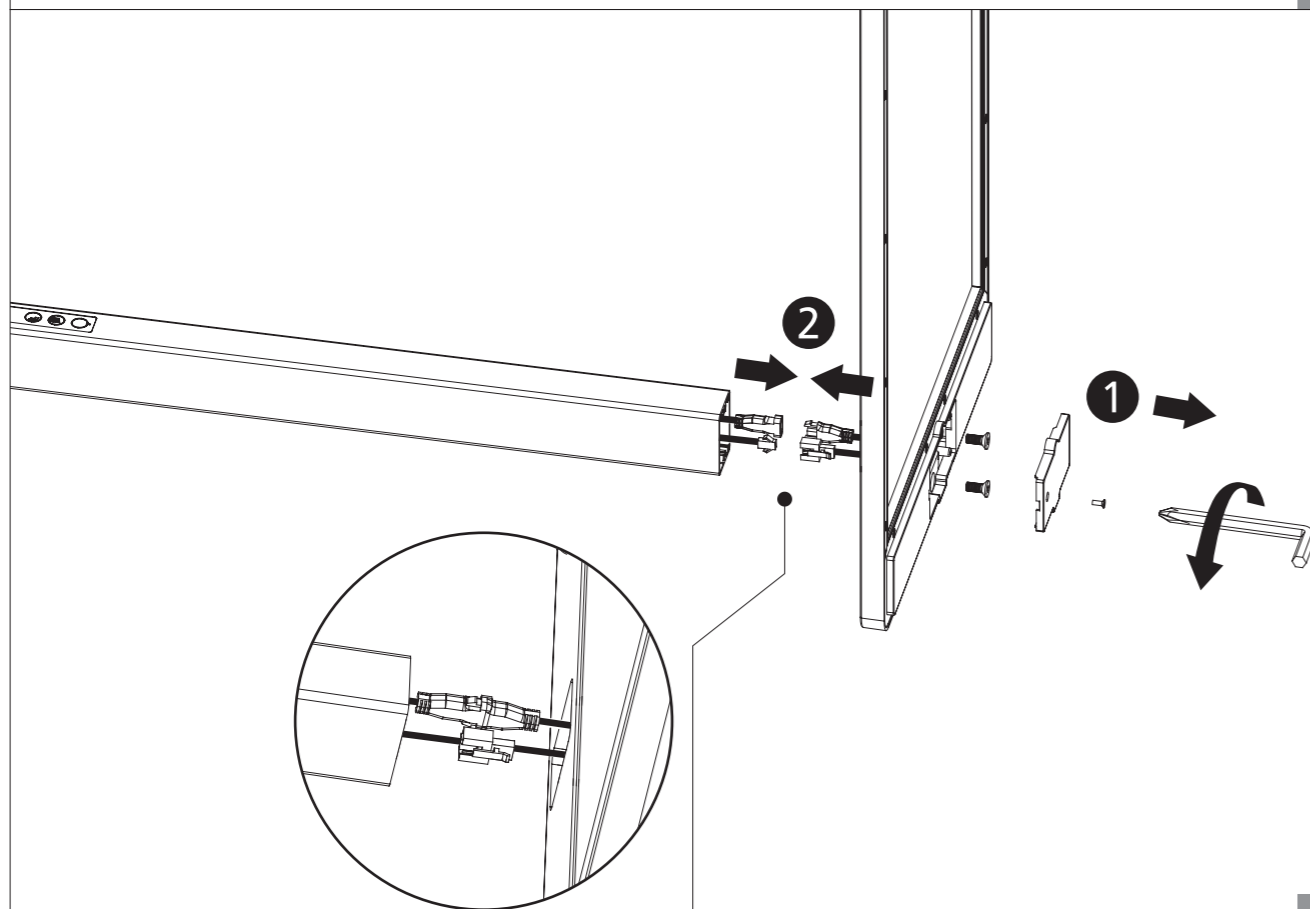




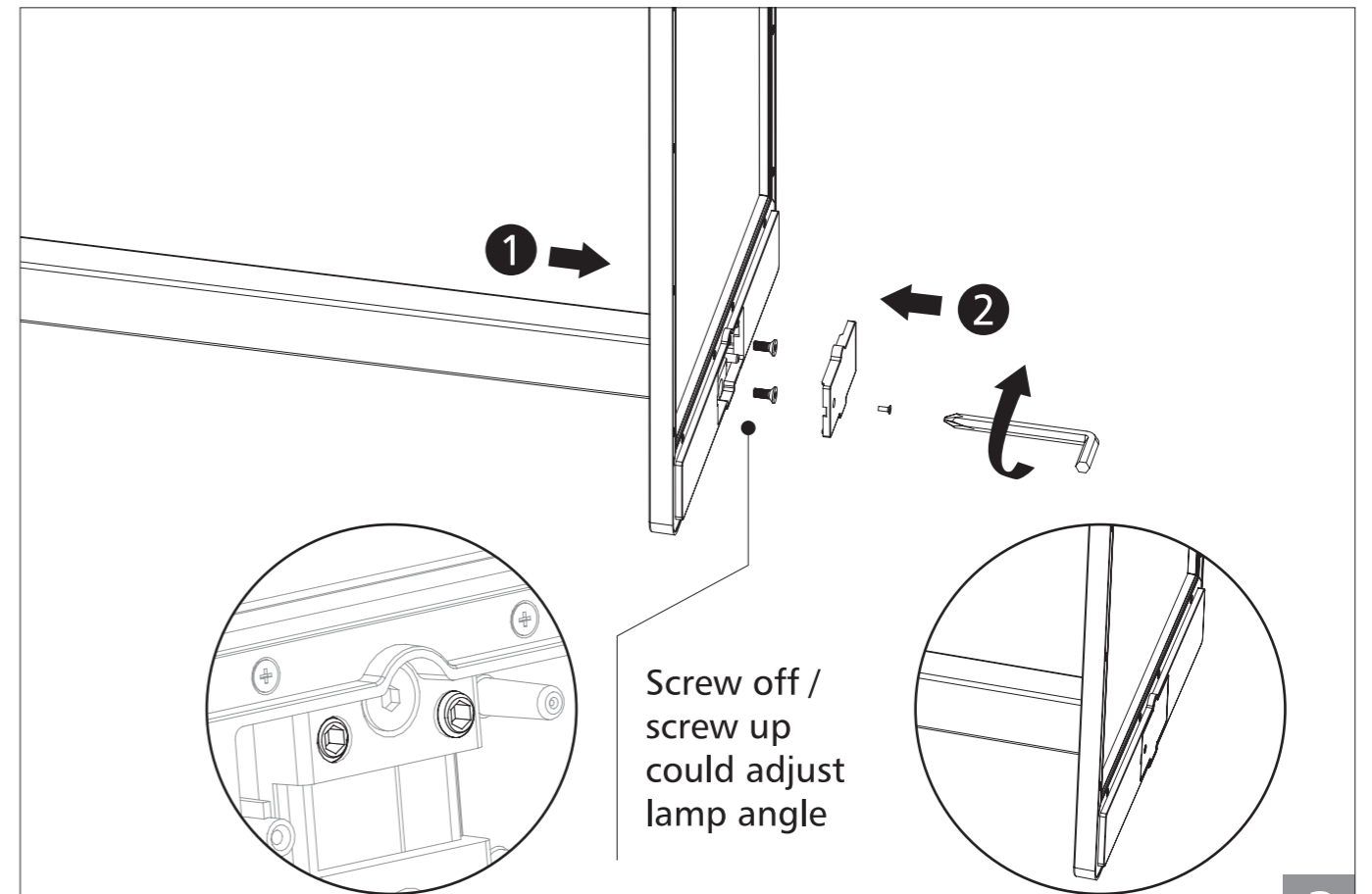
Desktop installation



1

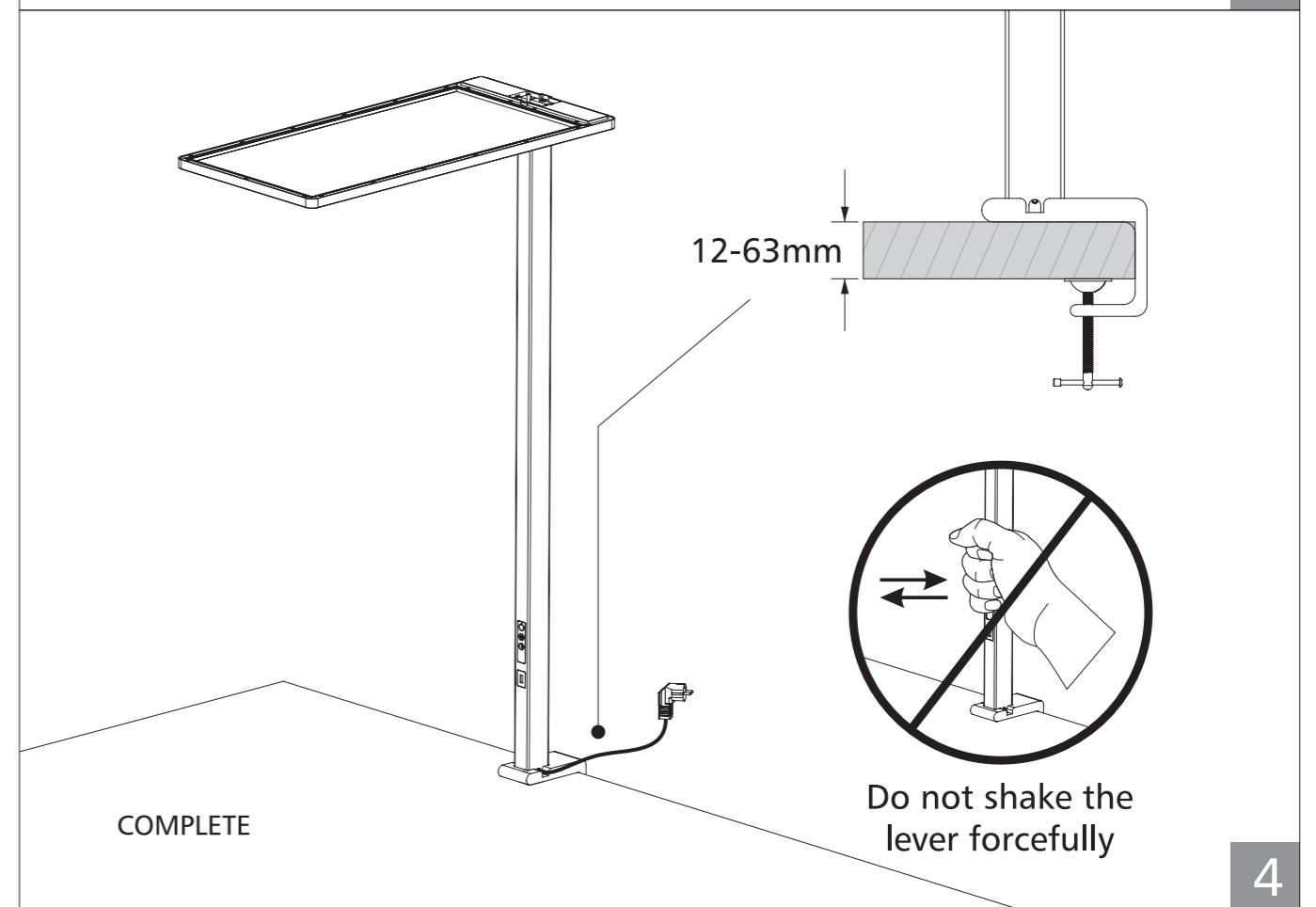


2



Screw off /
screw up
could adjust
lamp angle

3



COMPLETE

Do not shake the
lever forcefully

4

ECO
Specifications

STD
Specifications

PRO
Specifications

ODM
Specifications


INT
Intelligent

UPSHINE | *Up to Shine, there is life*
光之上，是生活

▼ www.upshine.com info@upshine.com TEL: +86 755 2919 7332 ▼

Add: 2-5 Floor, 2nd Building, Runheng Industrial Zone, Fuyuan 1st Road(West side), Fuyong Sub-district, Bao'an, Shenzhen, China